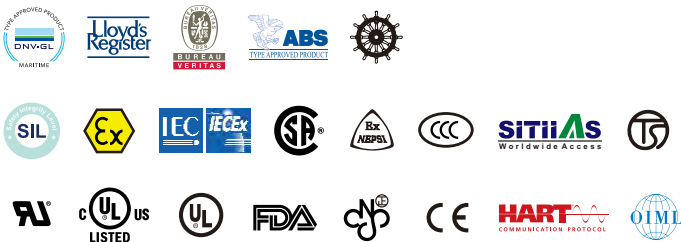




www.fine-tek.com

Electromagnetic Flow Meter



FLOW MEASUREMENT FIELD

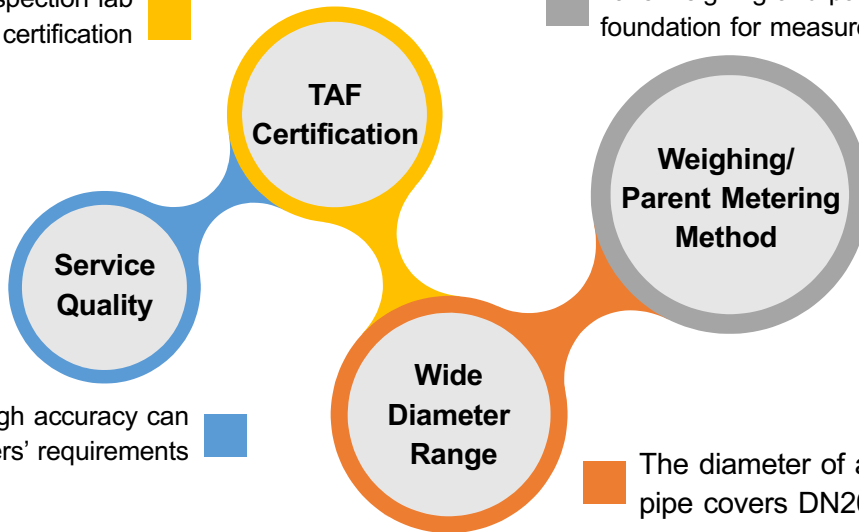
FineTek is the only inspection institution that owns a Class 2 flow test laboratory in Taiwan. With the most professional R&D and Design Team, it can design and develop high-accuracy electromagnetic flow meters. Moreover, it conducts calibration in Class 1 Flow Laboratory of the National Measurement Laboratory (ITRI Measurement Center), so as to guarantee the flow accuracy on the measurement field.

FineTek's flow laboratory has received certification from the Taiwan Accreditation Foundation and conforms to the regulations of international organizations such as ILAC and APALC. It has the complete ability of uncertainty testing and rating for flow test.



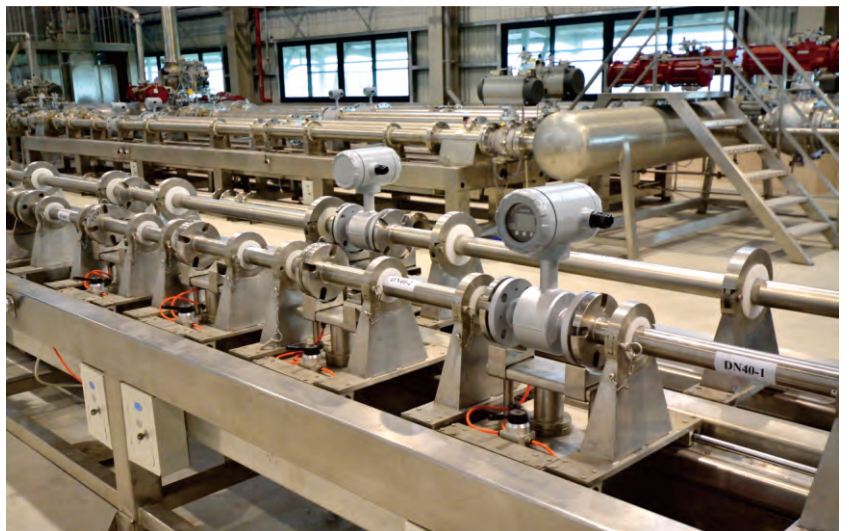
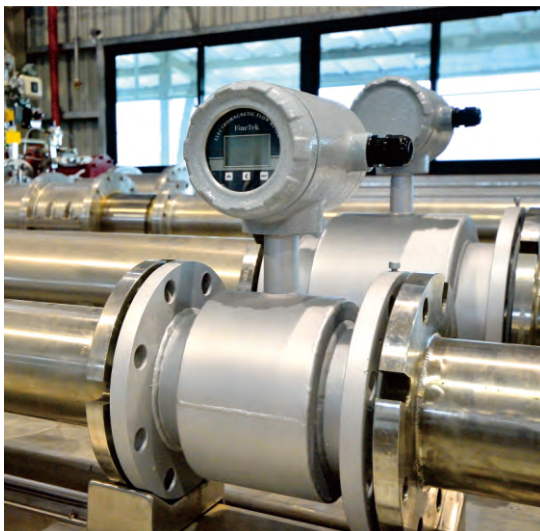
Flow inspection lab with TAF certification ■

Take weighing and parent metering as the foundation for measurement calibration ■



High quality and high accuracy can meet the customers' requirements ■

The diameter of applicable pipe covers DN20~ DN500 ■



FLOW MEASUREMENT FIELD



PUMP equipment
(The maximum horsepower
is 110KW per unit)



Weighing equipment



Control room & Graphical HMI



Piping system I
(Max capacity for four meters calibration
simultaneously in above system.)



Piping system II
(Maximum diameter is 500mm)

1. 測試項目 (Testing Item): 流量試驗
2. 測試日期 (Testing Date): 2016/07/17
3. 測試地點 (Testing Place): 實地
4. 測試結果 (Result): 合格

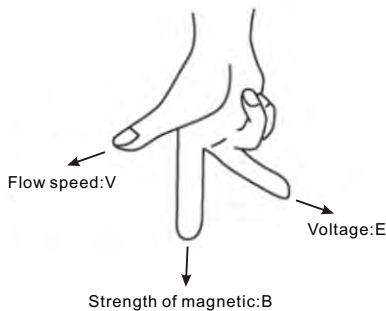
環境溫度 (Environment Temperature):
相對濕度 (Relative Humidity):

電子秤編號	測試 流量 (m ³ /h)	流速 (m/s)	管徑 (mm)	受測件管徑 (mm)	電子秤量測值	滿量程 相對誤差 (%)	滿量程 相對誤差 (%)	滿意 程度
3000 kg (8519902027)	234.47	0.98	300	300	234.47	0.02%	0.01%	2.00
3000 kg (8519902027)	127.24	0.50	300	300	127.24	0.02%	0.01%	2.00
3000 kg (8519902027)	76.34	0.31	300	300	76.34	0.02%	0.01%	2.00

The exclusive report
(Each flow meter has its
own calibration report)

ELECTROMAGNETIC FLOW METER

EPD electromagnetic flow meter is a high-accuracy flow meter manufactured based on the latest international technology. It is widely applied in papermaking, chemical industry, metallurgical industry, drainage, waste water treatment, liquid high-pressure metering, medical care, food, and environmental protection industries. It is used to measure the non-magnetic liquid and plasma in the enclosed pipe.



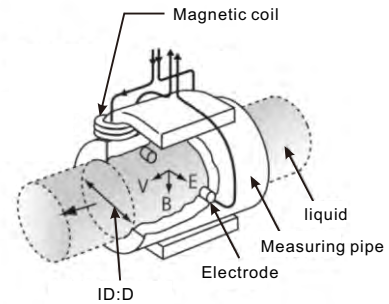
WORKING PRINCIPLE

The working principle of the electromagnetic flow meter is based on the Faraday law of electromagnetic induction. When the conducting liquid flows in the orthogonal direction of the magnetic line direction, it will cut the magnetic lines and generate induced voltage, which shows linear relationship with the flowing speed. Thus, the fluidic volume flow can be calculated.

EPD electromagnetic flow meter is mainly composed of the sensor and transmitter. The measuring tube of the sensor is equipped with the excitation coils upward and downward. The transmitter supplies the excitation current, which generates the magnetic field which goes through the measuring tube once it is powered on. A pair of induction electrodes installed on the inner side of the measuring tube comes in contact with the liquid to guide the induced voltage to the sensor.

APPLICATIONS

- Waste water treatment
- Tapped water purification
- Sewerage
- Sea water desalination module
- Dyeing machines
- Solar energy and PCB wet processing
- Food manufacturing
- Pharmaceutical machines



FEATURES

Low impact on environmental matter

- The measurement results are not affected by the change in liquid density, viscosity, temperature, pressure and conductivity.
- It can be widely applied in the conducting liquids that may contain fiber, solid granules and suspended matters.
- Enclosure protection rating: IP67/NEMA 4X

Wide measurement range & high efficiency

- The wide measurement turndown ratio can be reach 1:100, which can be set randomly and achieve high accuracy for small flow measurement.
- Highly-integrated backlit display of two rows, dual isolation, parameter setting, menu-type operation, memory function, reliable programming, password lock and access, small signal elimination, non-linear correction and two-way measurement.
- Various outputs: Current output 4~20mA, frequency output 2~8KHz and RS485 communication.

Multiple self-diagnosis function

- Power-saving and low fault rate: The measuring tube is without baffle and movable parts, so it won't cause pressure loss and jam.
- Smart self-detection and self-diagnosis function, as well as various alarms

The low installation cost

- It is easy-to-install with low requirements for the straight tube section (Front 5D and rear 2D)

IECEX ,CSA Explosion proof(EPD30)

Available for records for parameter modifications, boot/ shut down device(Option)
Authority management is available in menu (Option)

SPECIFICATION



Item	EPD30 Standard type	EPD34 Remote type
Display	LCM 128*64 pixel backlit type	
Buttons	Tri-button operation	
Communication interface	RS-485 (Modbus)	
Accuracy	±0.5% of reading@1m/s(0.2% optional)	
Medium temperature	-20 ~ 120 °C(PTFE Lining)	
Ambient temperature	-40 ~ 70 °C*(-40 ~ 60 °C applied for Ex proof, as:IECEX)	
Fluidic conductivity	> 5 uS/cm	
Measuring scope	0.1m/s ~ 10m/s	
Current output accuracy	0.1% of Pulse Output Accuracy Temperature coefficient (100ppm/°C)	
Operating pressure	16 Kg/cm ² (Please contact FineTek if pressure requested more than16 Kg/cm ²)	
Current output mode	Proactive	
Analog output	4 ~ 20mA	
Maximum load of current output	< 700Ω	
Alarming current	3.6mA or 22 mA	
Frequency output scope	2 ~ 8 KHz	
Pulse width	Automatic (pulse width 50%)	
Pulse mode	NPN transistor output 32vdc/200mA	
Time constant	1~100 s	
Control output (DO)	NPN transistor output 32vdc/200mA ; 1-CH(EPD30),2-CH(EPD34)	
Control input (DI)	Dry contact ON< 200Ω ; 1,000Ω< OFF ; 1-CH	
Data logger(Optional)	500 items. With calendar (Internal battery: Lift time>6 month)	
Baud rate	1200 ~ 57600 bps	
Protection rating	IP67 / NEMA 4X	IP68**(Transducer) IP67/ NEMA 4X (Transmitter)
Enclosure material	Aluminum alloy	
Input power	AC 100~240V or DC 24V(Applied for Exproof, as IECEx ,CSA)	
Power consumption	< 10W	
Wire inlet specification	1/2"NPTx2	1/2"NPT x 2(Transducer), M20 x 1.5 x 4(Transmitter)
Excitation mode	Pulse DC	
Vibration regulation	MIL-STD-202G-201A:2002	
EMC regulation	IEC/EN 61326-1 Class A table2	
Explosion-Proof mark	Exec IIC T6...T4 Gc	None

*It can't display when LCM is lower than -20°C.

**Continuous immersion in 6 meters of water for up to 48 hours,IP68 protection,optional function.

MATERIAL SELECTION

※Electrode material

Electrode material	Anti-corrosion property
Stainless steel (316L)	It is applied in water, sewage and organic and non-organic corrosive medium.
Hastelloy alloy	It is resistant to the corrosion of the medium mixture of oxidizing acid such as Nitric acid, mixed acid or Sulfuric acid. Moreover, it is resistant to the corrosion of the oxidizing salt such as Fe^{2+} 、 Cu^{2+} or other substances containing oxidants such as the salt solution of hypochlorous acid above the ambient temperature and sea water.
Titanium	It is resistant to the corrosion of sea water, various oxides, salt solution of hypochlorous acid, oxidating acid (including fuming Nitric acid) and organic acid and alkane. It is not resistant to the corrosion of pure reducing acid (such as Sulfuric acid and Hydrochloric acid). However, the anti-corrosion property will be greatly degraded if the acid contains some oxidants.
Tantalum	It has excellent corrosion resistance. Its characteristic is similar to glass. In addition to hydrofluoric acid , nitric acid , alkali, it could resist almost all chemical medium (including boiling hydrochloric acid, nitric acid and sulfuric acid below 175 °C). It could not resist corrosion in alkali.

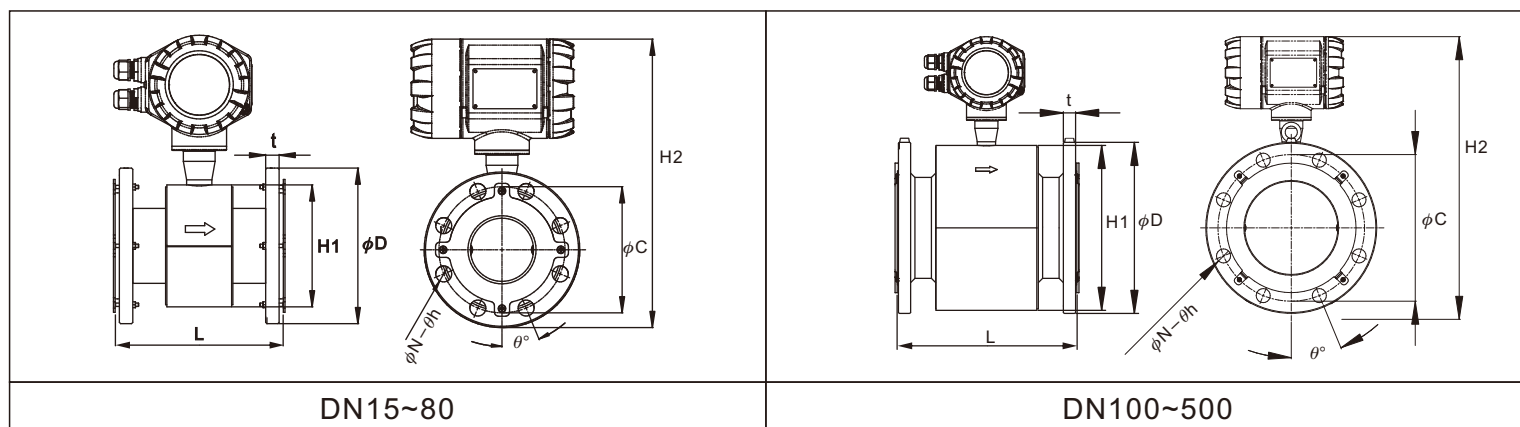
※Lining material

Lining material	Main properties	Application scope
PTFE	<ol style="list-style-type: none"> 1. Stable chemical properties, resistant to various acid, alkane, and salt solutions and various organic solvents. It is not tolerant to the corrosion of ClF_3, high-temperature OF_3 and high-speed liquid oxygen and ozone. 2. The anti-abrasion property is average. 	<ol style="list-style-type: none"> 1. -20~120°C 2. Strong corrosive medium such as concentrated acid and alkane.
NBR	<ol style="list-style-type: none"> 1. Excellent flexibility, highly tearing force capability, good wear resistance 2. It is resistant to low concentrations of acid, alkali, salt solution;It is not tolerant the corrosion of oxidizing mediums. 	<ol style="list-style-type: none"> 1. < 80°C 2. Neutral-strong wearing mineral pulp, coal slurry and mud slurry
Neoprene	<ol style="list-style-type: none"> 1. Neutral wearing capability 2. It is resistant to low concentrations of acid, alkali, acid corrosion. 	<ol style="list-style-type: none"> 1. < 80°C 2. Water, Industrial water , Seawater

※Inner tube material inside flow meter's body

Material of inner tube	Anti-corrosion property
Stainless steel (304)	For water, sewage or inorganic, organic media which are mildly corrosive

APPEARANCE AND DIMENSION AND FLANGE CONNECTION DIMENSION STANDARD TYPE



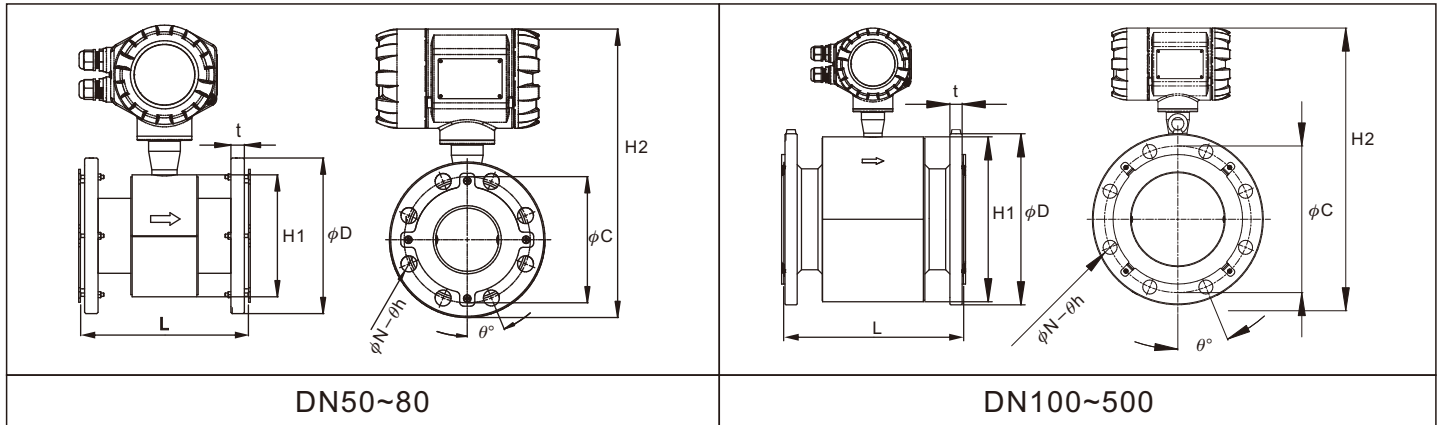
Connection specification		JIS 10K															
Nominal diameter(mm)		15	25	40	50	65	80	100	125	150	200	250	300	350	400	450	500
Lining material		PTFE															
Length	L	200	200	200	200	200	200	250	250	300	350	400	500	500	600	600	600
External diameter	ϕD	95	125	140	155	175	185	210	250	280	330	400	445	490	560	620	675
PCD	ϕC	70	90	105	120	140	150	175	210	240	290	355	400	445	510	565	620
Flange thickness	t	12	14	16	16	18	18	18	20	22	22	24	24	26	28	30	30
Inclined angle of screw hole	θ°	45	45	45	45	45	22.5	22.5	22.5	22.5	15	15	11.25	11.25	11.25	9	9
Diameter of screw hole	θh	15	19	19	19	19	19	19	23	23	23	25	25	25	27	27	27
Quantity of screw holes	N	4	4	4	4	4	8	8	8	8	12	12	16	16	16	20	20
Height of sensor casing	H1	75	88	125	125	145	145	195	195	270	305	365	406	470	530	580	630
Total height	H2	267	289	315	322	342	347	385	405	467	506	572	616	675	737	769	818
Weight (kg)		5	6.8	6.8	7.7	9	9.9	12.9	17.5	23.5	33.2	54	69.6	88.4	109.3	--	--

Connection specification		JIS 20K											
Nominal diameter(mm)		15	25	40	50	65	80	100	125	150	200	250	300
Lining material		PTFE											
Length	L	200	200	200	200	200	200	250	250	300	350	400	500
External diameter	ϕD	95	125	140	155	175	200	225	270	305	350	430	480
PCD	ϕC	70	90	105	120	140	160	185	225	260	305	380	430
Flange thickness	t	14	16	18	18	20	22	24	26	28	30	34	36
Inclined angle of screw hole	θ°	45	45	45	22.5	22.5	22.5	22.5	22.5	15	15	15	11.25
Diameter of screw hole	θh	15	19	19	19	23	23	23	25	25	25	27	27
Quantity of screw holes	N	4	4	4	8	8	8	8	8	12	12	12	16
Height of sensor casing	H1	75	88	125	125	145	145	195	195	270	305	365	406
Total height	H2	267	289	315	322	342	355	392	415	478	514	585	632
Weight (kg)		5.3	7	7.1	7.7	9	12.3	16.4	23.6	31	43.4	74.2	94.2

Remarks:

For DN15~DN80 · DN350~DN500, the lining protective ring is 2mm, so the total length of the flow meter shall be increased by L+4mm. For DN100~DN300, the lining protective ring is 0.5mm, so the total length of the flow meter shall be increased by L+1mm; total length (L) tolerance is ± 3 mm, total height (H2) tolerance is ± 5 mm

APPEARANCE AND DIMENSION AND FLANGE CONNECTION DIMENSION STANDARD TYPE

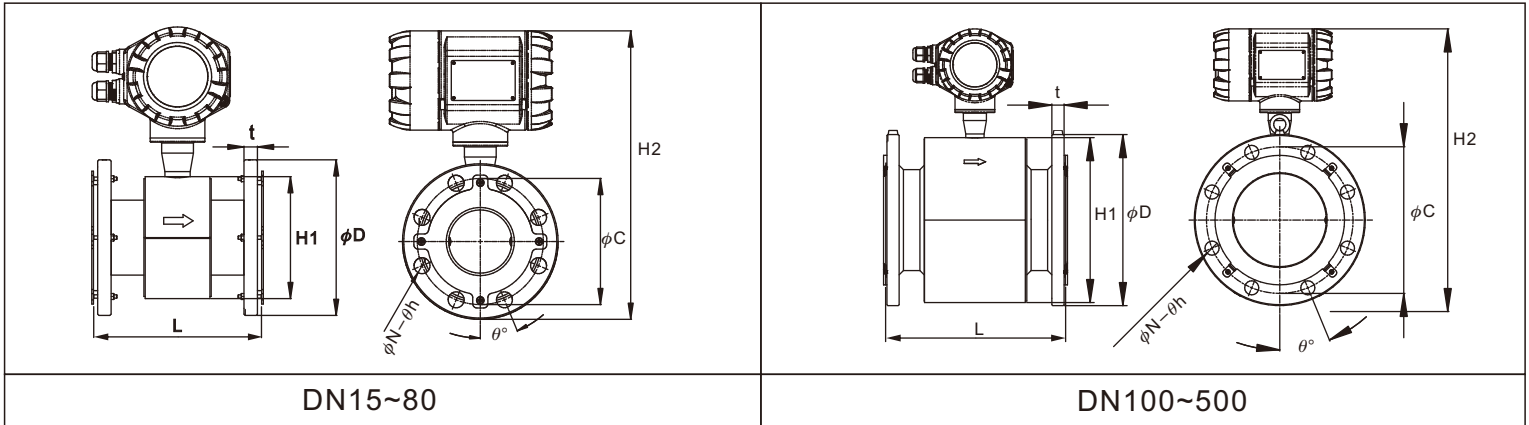


Connection specification		JIS 7.5K										
Nominal diameter(mm)		50	80(75)	100	150	200	250	300	350	400	450	500
Lining material		PTFE										
Length	L	200	200	250	300	350	400	500	500	600	600	600
External diameter	ϕD	186	211	238	290	342	410	464	530	582	652	706
PCD	ϕC	143	168	195	247	299	360	414	472	524	585	639
Flange thickness	t	16	18	18	20	21	23	26	26	26	28	28
Inclined angle of screw hole	θ°	45	45	45	30	22.5	22.5	18	18	15	15	15
Diameter of screw hole	θh	19	19	19	19	19	21	21	24	24	28	28
Quantity of screw holes	N	4	4	4	6	8	8	10	10	12	12	12
Height of sensor casing	H1	125	145	195	270	305	365	406	470	530	580	630
Total height	H2	338	360	399	472	511	577	625	693	747	783	832
Weight (kg)		7.7	12.5	15.8	25.6	36.8	55.6	75	--	--	--	--

Remarks:

For DN15~DN80、DN350~DN500, the lining protective ring is 2mm, so the total length of the flow meter shall be increased by L+4mm. For DN100~DN300, the lining protective ring is 0.5mm, so the total length of the flow meter shall be increased by L+1mm; total length (L) tolerance is ± 3 mm, total height (H2) tolerance is ± 5 mm

APPEARANCE AND DIMENSION AND FLANGE CONNECTION DIMENSION STANDARD TYPE



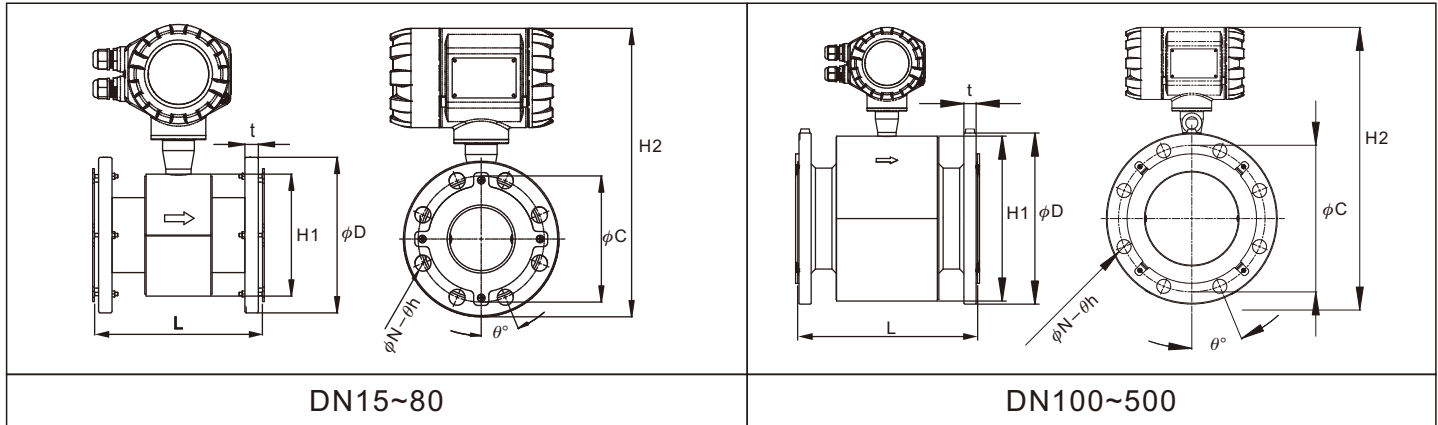
Connection specification		ANSI 150Lbs															
Nominal diameter(mm)		15	25	40	50	65	80	100	125	150	200	250	300	350	400	450	500
Lining material		PTFE															
Length	L	200	200	200	200	200	200	250	250	300	350	400	500	500	600	600	600
External diameter	ϕD	89	108	127	152	178	190	229	254	279	343	406	483	533	597	635	699
PCD	ϕC	60	79	98	121	140	152	191	216	241	298	362	432	476	540	578	635
Flange thickness	t	10	13	16	17	21	22	22	22	24	27	29	30	33	35	38	41
Inclined angle of screw hole	θ°	45	45	45	45	45	45	22.5	22.5	22.5	22.5	15	15	15	11.25	11.25	9.0
Diameter of screw hole	θh	16	16	16	19	19	19	19	22	22	22	25	25	29	29	32	32
Quantity of screw holes	N	4	4	4	4	4	4	8	8	8	8	12	12	12	16	16	20
Height of sensor casing	H1	75	89	125	125	145	145	195	195	265	305	365	406	470	530	580	630
Total height	H2	264	281	308	321	344	350	394	407	464	511	575	633	695	754	797	851
Weight (kg)		4.6	6.1	6.5	8.3	10.8	12.3	17.8	21	27	44.2	67.2	99.6	124.8	152.9	--	--

Connection specification		ANSI 300Lbs															
Nominal diameter(mm)		15	25	40	50	65	80	100	125	150	200	250	300	350	400	450	500
Lining material		PTFE															
Length	L	200	200	200	200	200	200	250	250	300	350	400	500	500	600	600	600
External diameter	ϕD	98	124	156	165	190	210	254	279	318	381	445	521	584	648	711	775
PCD	ϕC	67	89	114	127	149	168	200	235	270	330	387	451	514	572	629	686
Flange thickness	t	13	16	19	21	24	27	30	33	35	40	46	49	52	56	59	62
Inclined angle of screw hole	θ°	45	45	45	22.5	22.5	22.5	22.5	22.5	15	15	11.25	11.25	9.0	9.0	7.5	7.5
Diameter of screw hole	θh	16	19	22	19	22	22	22	22	22	25	29	32	32	35	35	35
Quantity of screw holes	N	4	4	4	8	8	8	8	8	12	12	16	16	20	20	24	24
Height of sensor casing	H1	75	88	125	125	145	145	195	195	265	305	365	406	470	530	580	630
Total height	H2	269	288	323	327	350	360	407	419	481	528	592	650	718	778	832	886
Weight (kg)		5.1	7.3	9.1	10.3	12.8	16.5	26.6	33	43.8	69.2	100.4	146.6	--	--	--	--

Remarks:

For DN15~DN80、DN350~DN500, the lining protective ring is 2mm, so the total length of the flow meter shall be increased by L+4mm. For DN100~DN300, the lining protective ring is 0.5mm, so the total length of the flow meter shall be increased by L+1mm; total length (L) tolerance is ± 3 mm, total height (H2) tolerance is ± 5 mm

APPEARANCE AND DIMENSION AND FLANGE CONNECTION DIMENSION STANDARD TYPE



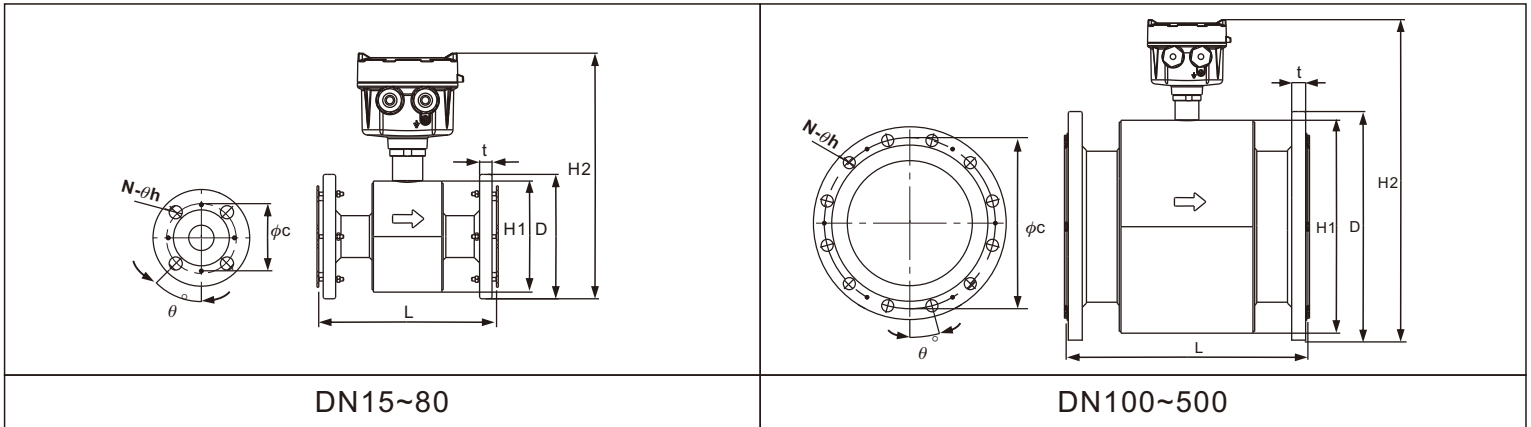
Connection specification		DIN PN40						DIN PN16					
Nominal diameter(mm)		15	25	40	50	65	80	65	80	100	125	150	200
Lining material		PTFE											
Length	L	200	200	200	200	200	200	200	200	250	250	300	350
External diameter	ϕD	95	115	150	165	185	200	185	200	220	250	285	340
PCD	ϕC	65	85	110	125	145	160	145	160	180	210	240	295
Flange thickness	t	18	18	18	20	22	24	18	20	20	22	22	24
Inclined angle of screw hole	θ°	45	45	45	45	22.5	22.5	45	22.5	22.5	22.5	22.5	15
Diameter of screw hole	θh	14	14	18	18	18	18	18	18	18	18	22	22
Quantity of screw holes	N	4	4	4	4	8	8	4	8	8	8	8	12
Height of sensor casing	H1	76	89	125	125	145	145	145	145	195	195	265	265
Total height	H2	268	284	320	327	347	355	347	355	390	405	467	490
Weight (kg)		5.2	7.1	7.1	7.7	9	12.3	8.6	11.7	15.6	21	28.2	40

Connection specification		DIN PN10						
Nominal diameter(mm)		200	250	300	350	400	450	500
Lining material		PTFE						
Length	L	350	400	500	500	600	600	600
External diameter	ϕD	340	395	445	490	565	615	670
PCD	ϕC	295	350	400	460	515	565	620
Flange thickness	t	24	26	26	28	32	38	38
Inclined angle of screw hole	θ°	22.5	15	15	11.25	11.25	9	9
Diameter of screw hole	θh	22	22	22	22	26	26	26
Quantity of screw holes	N	8	12	12	16	16	20	20
Height of sensor casing	H1	305	365	406	470	530	580	630
Total height	H2	516	570	616	675	740	788	838
Weight (kg)		33.2	54	69.6	88.4	109.3	--	--

Remarks:

For DN15~DN80、DN350~DN500, the lining protective ring is 2mm, so the total length of the flow meter shall be increased by L+4mm. For DN100~DN300, the lining protective ring is 0.5mm, so the total length of the flow meter shall be increased by L+1mm; total length (L) tolerance is ± 3 mm, total height (H2) tolerance is ± 5 mm

APPEARANCE AND DIMENSION AND FLANGE CONNECTION DIMENSION REMOTE TYPE



Connection specification		JIS 10K															
Nominal diameter(mm)		15	25	40	50	65	80	100	125	150	200	250	300	350	400	450	500
Lining material		PTFE															
Length	L	200	200	200	200	200	200	250	250	300	350	400	500	500	600	600	600
External diameter	ϕD	95	125	140	155	175	185	210	250	280	330	400	445	490	560	620	675
PCD	ϕC	70	90	105	120	140	150	175	210	240	290	355	400	445	510	565	620
Flange thickness	t	12	14	16	16	18	18	18	20	22	22	24	24	26	28	30	30
Inclined angle of screw hole	θ°	45	45	45	45	45	22.5	22.5	22.5	22.5	15	15	11.25	11.25	11.25	9	9
Diameter of screw hole	θh	15	19	19	19	19	19	19	23	23	23	25	25	25	27	27	27
Quantity of screw holes	N	4	4	4	4	4	8	8	8	8	12	12	16	16	16	20	20
Height of sensor casing	H1	75	88	125	125	145	145	195	195	270	305	365	406	470	530	580	630
Total height*1	H2	229	250	276	284	304	309	346	366	429	468	534	578	637	699	752	802
Weight (kg)*2		3.4	5.3	5.3	6.1	7.4	8.3	11.4	16	22	31.7	52.5	68	86.8	107.7	--	--

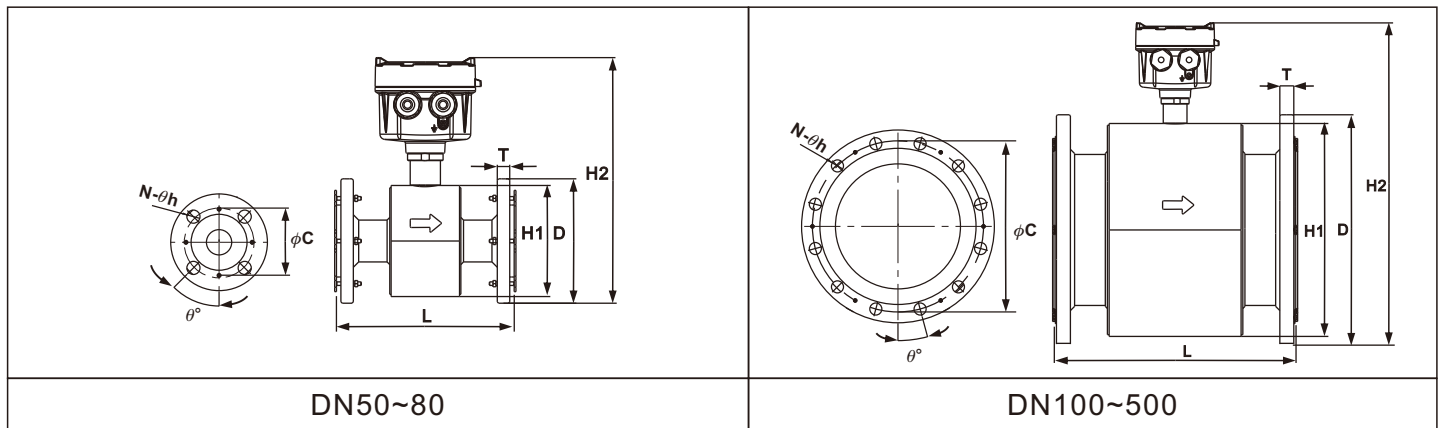
Connection specification		JIS 20K											
Nominal diameter(mm)		15	25	40	50	65	80	100	125	150	200	250	300
Lining material		PTFE											
Length	L	200	200	200	200	200	200	250	250	300	350	400	500
External diameter	ϕD	95	125	140	155	175	200	225	270	305	350	430	480
PCD	ϕC	70	90	105	120	140	160	185	225	260	305	380	430
Flange thickness	t	14	16	18	18	20	22	24	26	28	30	34	36
Inclined angle of screw hole	θ°	45	45	45	22.5	22.5	22.5	22.5	22.5	15	15	15	11.25
Diameter of screw hole	θh	15	19	19	19	23	23	23	25	25	25	27	27
Quantity of screw holes	N	4	4	4	8	8	8	8	8	12	12	12	16
Height of sensor casing	H1	75	88	125	125	145	145	195	195	270	305	365	406
Total height*1	H2	229	250	276	284	304	316	354	376	440	476	547	594
Weight (kg)*2		3.8	5.5	5.5	6.2	7.4	10.7	14.9	22	29.5	41.8	72.7	92.6

Remarks:

*1: For DN15~DN80、DN350~DN500, the lining protective ring is 2mm, so the total length of the flow meter shall be increased by L+4mm. For DN100~DN300, the lining protective ring is 0.5mm, so the total length of the flow meter shall be increased by L+1mm; total length (L) tolerance is ± 3 mm, total height (H2) tolerance is ± 5 mm

*2: To shows the weight of transducer only. Not include the weight of transmitter 2.06kg

APPEARANCE AND DIMENSION AND FLANGE CONNECTION DIMENSION REMOTE TYPE



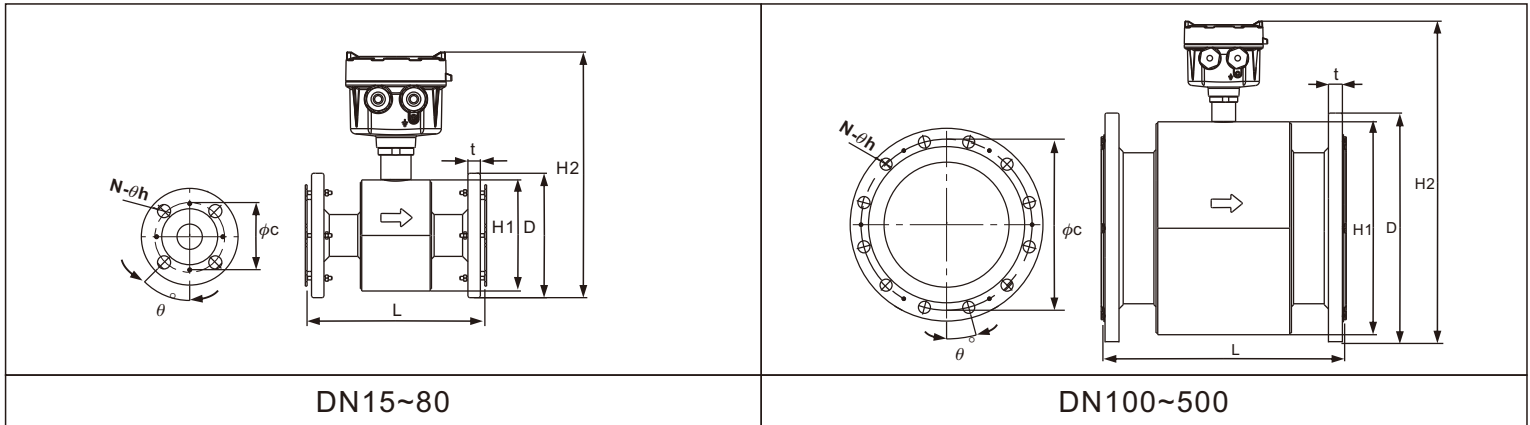
Connection specification		JIS 7.5K										
Nominal diameter(mm)		50	80(75)	100	150	200	250	300	350	400	450	500
Lining material		PTFE										
Length	L	200	200	250	300	350	400	500	500	600	600	600
External diameter	ϕD	185	211	238	290	342	410	464	530	582	652	706
PCD	ϕC	143	168	195	247	299	360	414	472	524	585	639
Flange thickness	t	16	18	18	20	21	23	26	26	26	28	28
Inclined angle of screw hole	θ°	45	45	45	30	22.5	22.5	18	18	15	15	15
Diameter of screw hole	θh	19	19	19	19	19	21	21	24	24	28	28
Quantity of screw holes	N	4	4	4	6	8	8	10	10	12	12	12
Height of sensor casing	H1	125	145	195	270	305	365	406	470	530	580	630
Total height*1	H2	299	322	360	433	473	538	587	655	709	767	817
Weight (kg)*2		7.7	10.9	14.3	24.1	35.3	54.1	73.4	--	--	--	--

Remarks:

*1: For DN15~DN80、DN350~DN500, the lining protective ring is 2mm, so the total length of the flow meter shall be increased by L+4mm. For DN100~DN300, the lining protective ring is 0.5mm, so the total length of the flow meter shall be increased by L+1mm; total length (L) tolerance is $\pm 3\text{mm}$, total height (H2) tolerance is $\pm 5\text{mm}$

*2: To shows the weight of transducer only. Not include the weight of transmitter 2.06kg

APPEARANCE AND DIMENSION AND FLANGE CONNECTION DIMENSION REMOTE TYPE



Connection specification		ANSI 150 Lbs															
Nominal diameter(mm)		15	25	40	50	65	80	100	125	150	200	250	300	350	400	450	500
Lining material		PTFE															
Length	L	200	200	200	200	200	200	250	250	300	350	400	500	500	600	600	600
External diameter	ϕD	89	108	127	152	178	190	229	254	279	343	406	483	533	597	635	699
PCD	ϕC	60	79	99	121	140	152	191	216	241	298	362	432	476	540	578	635
Flange thickness	t	10	13	16	17	21	22	22	22	24	27	29	30	33	35	38	41
Inclined angle of screw hole	θ°	45	45	45	45	45	45	22.5	22.5	22.5	22.5	15	15	15	11.25	11.25	9
Diameter of screw hole	θh	16	16	16	19	19	19	19	22	22	22	25	25	29	29	32	32
Quantity of screw holes	N	4	4	4	4	4	4	8	8	8	8	12	12	12	16	16	20
Height of sensor casing	H1	76	89	125	125	145	145	195	195	265	305	365	406	470	530	580	630
Total height*1	H2	227	242	270	282	305	311	356	368	426	473	537	595	657	716	759	851
Weight (kg)*2		4.6	6.1	4.9	6.8	9.2	10.7	16.3	19.4	25.5	42.6	65.7	98	123.2	151.3	--	--

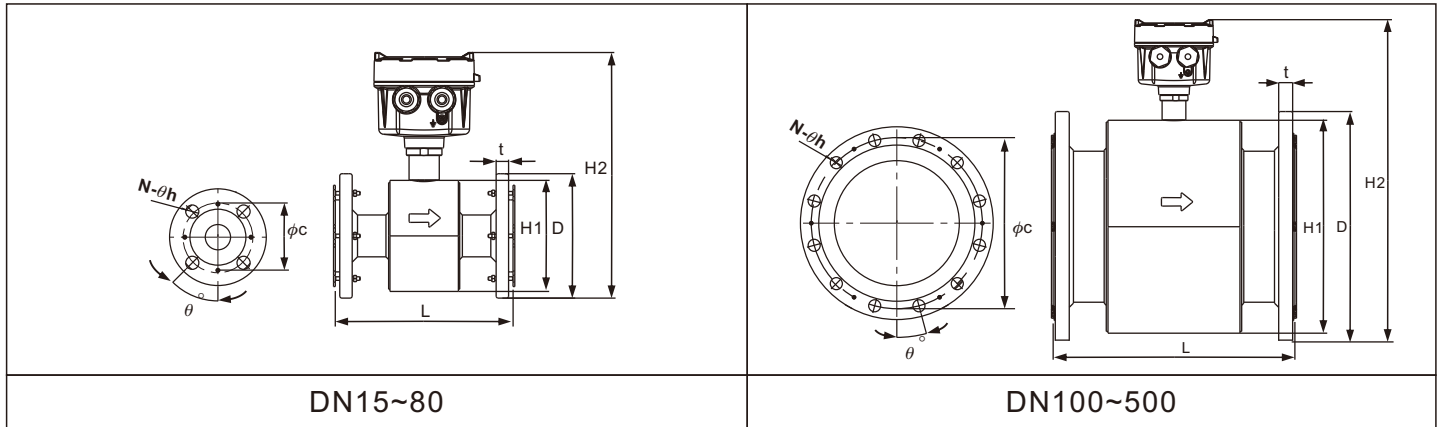
Connection specification		ANSI 300 Lbs															
Nominal diameter(mm)		15	25	40	50	65	80	100	125	150	200	250	300	350	400	450	500
Lining material		PTFE															
Length	L	200	200	200	200	200	200	250	250	300	350	400	500	500	600	600	600
External diameter	ϕD	98	124	156	165	190	210	254	279	318	381	445	521	584	648	711	775
PCD	ϕC	67	89	114	127	149	168	200	235	270	330	387	451	514	572	629	686
Flange thickness	t	13	16	19	21	24	27	30	33	35	40	46	49	52	56	59	62
Inclined angle of screw hole	θ°	45	45	45	22.5	22.5	22.5	22.5	22.5	15	15	11.25	11.25	9	9	7.5	7.5
Diameter of screw hole	θh	16	19	22	19	22	22	22	22	22	25	29	32	32	35	35	35
Quantity of screw holes	N	4	4	4	8	8	8	8	8	12	12	16	16	20	20	24	24
Height of sensor casing	H1	76	89	125	125	145	145	195	195	265	305	365	406	470	530	580	630
Total height*1	H2	231	250	284	289	311	321	368	381	443	490	553	612	680	740	794	886
Weight (kg)*2		5.1	7.3	9.1	10.3	12.8	16.5	26.6	33	42.3	67.6	98.9	145	--	--	--	--

Remarks:

*1: For DN15~DN80、DN350~DN500, the lining protective ring is 2mm, so the total length of the flow meter shall be increased by L+4mm. For DN100~DN300, the lining protective ring is 0.5mm, so the total length of the flow meter shall be increased by L+1mm; total length (L) tolerance is ± 3 mm, total height (H2) tolerance is ± 5 mm

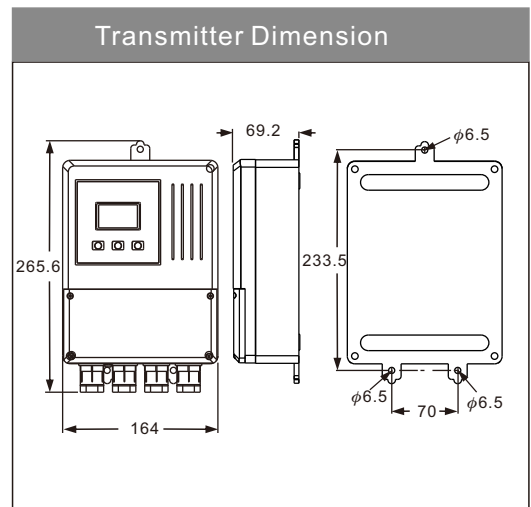
*2: To shows the weight of transducer only. Not include the weight of transmitter 2.06kg

APPEARANCE AND DIMENSION AND FLANGE CONNECTION DIMENSION REMOTE TYPE



Connection specification		DIN PN40						DIN PN16					
Nominal diameter(mm)		15	25	40	50	65	80	65	80	100	125	150	200
Lining material		PTFE											
Length	L	200	200	200	200	200	200	200	200	250	250	300	350
External diameter	ϕD	95	115	150	165	185	200	185	200	220	250	285	340
PCD	ϕC	65	85	110	125	145	160	145	160	180	210	240	295
Flange thickness	t	18	18	18	20	22	24	18	20	20	22	22	24
Inclined angle of screw hole	θ°	45	45	45	45	22.5	22.5	45	22.5	22.5	22.5	22.5	15
Diameter of screw hole	θh	14	14	18	18	18	18	18	18	18	18	22	22
Quantity of screw holes	N	4	4	4	4	8	8	4	8	8	8	8	12
Height of sensor casing	H1	76	89	125	125	145	145	145	145	195	195	265	305
Total height*1	H2	230	246	281	289	309	316	309	316	351	366	435	476
Weight (kg)*2		5.2	7.2	5.5	6.2	7.4	10.7	7	10.1	14.1	19.4	26.7	38.4

Connection specification		DIN PN10						
Nominal diameter(mm)		200	250	300	350	400	450	500
Lining material		PTFE						
Length	L	350	400	500	500	600	600	600
External diameter	ϕD	340	395	445	490	565	615	670
PCD	ϕC	295	350	400	460	515	565	620
Flange thickness	t	24	26	26	28	32	38	38
Inclined angle of screw hole	θ°	22.5	15	15	11.25	11.25	9	9
Diameter of screw hole	θh	22	22	22	22	26	26	26
Quantity of screw holes	N	8	12	12	16	16	20	20
Height of sensor casing	H1	305	365	406	470	530	580	630
Total height*1	H2	476	534	603	637	701	750	800
Weight (kg)*2		31.7	52.5	68	86.8	107.7	--	--



Remarks:

*1: For DN15~DN80、DN350~DN500, the lining protective ring is 2mm, so the total length of the flow meter shall be increased by L+4mm. For DN100~DN300, the lining protective ring is 0.5mm, so the total length of the flow meter shall be increased by L+1mm; total length (L) tolerance is ± 3 mm, total height (H2) tolerance is ± 5 mm

*2: To shows the weight of transducer only. Not include the weight of transmitter 2.06kg

PIPE DIAMETER, FLOW RANGE AND ACCURACY SELECTION

Pipe diameter (mm)	Flow range (m ³ /h)	
	Flowing speed 0.1~1.0m/s	Flowing speed 1.0~10m/s
15	0.06~0.64	0.64~6.4
25	0.17~1.77	1.77~17.7
40	0.45~4.5	4.5~45.2
50	0.71~7.1	7.1~71
65	1.19~11.9	11.9~119
80	1.81~18.1	18.1~181
100	2.83~28.3	28.3~283
125	4.42~44.2	44.2~442
150	6.36~63.6	63.6~636
200	11.3~113	113~1130
250	17.7~177	177~1770
300	25.4~254	254~2540
350	34.6~346	346~3460
400	45.2~452	452~4520
450	57.2~572	572~5720
500	70.7~707	707~7070

DN (mm)	Q4 (m ³ /h)	Q3 (m ³ /h)	Q2 (m ³ /h)	Q1 (m ³ /h)
15	8	6.3	0.06 ^{*1}	0.04 ^{*1}
25	20	16	0.16	0.10 ^{*1}
40	50	40	0.40	0.25
50	78.75	63	0.63	0.394
65	125	100	1.01	0.63
80	200 ^{*2}	160	1.60	1.00
100	313 ^{*2}	250 ^{*2}	2.52	1.57
125	500	400	4.00 ^{*3}	2.50 ^{*3}
150	788	630	6.31	3.94 ^{*3}
200	1250	1000	10.00	6.25
250	2000 ^{*4}	1600 ^{*4}	16.00	10.00
300	3125 ^{*4}	2500 ^{*4}	25.01	15.63
350	5000 ^{*4}	4000 ^{*4}	40.00	25.00
400	5000 ^{*4}	4000 ^{*4}	40.00	25.00
450	7875 ^{*4}	6300 ^{*4}	63.00	39.38
500	7875 ^{*4}	6300 ^{*4}	63.00	39.38

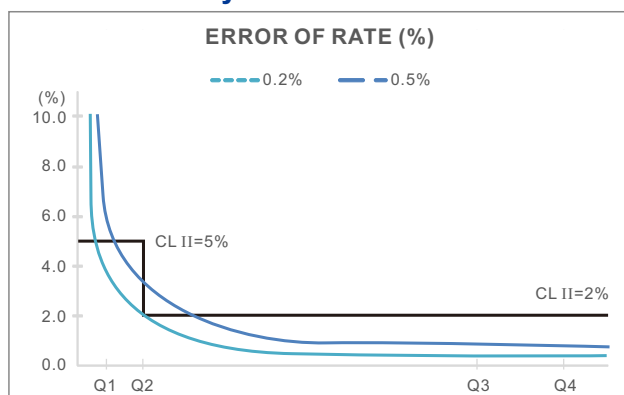
*1: Result is tested under flow rate 0.11 m³/h

*2: Result is tested under flow rate 190 m³/h

*3: Result is tested under flow rate 4.4 m³/h

*4: Result is tested under flow rate 1530 m³/h

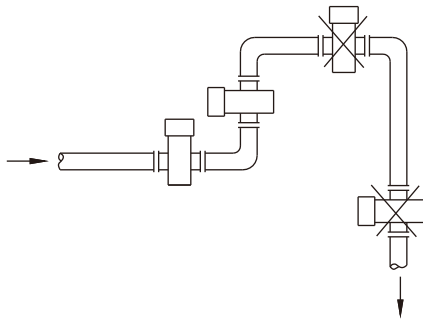
OIML Accuracy class & tolerance



Type	EPD 3x
Nominal diameter(DN)	50
Q ₃ /Q ₁ *	160
Q ₂ /Q ₁	1.6
Q ₁ (m ³ /h)	0.394
Q ₂ (m ³ /h)	0.63
Q ₃ (m ³ /h)	63
Q ₄ (m ³ /h)	78.75

INSTALLATION INSTRUCTIONS

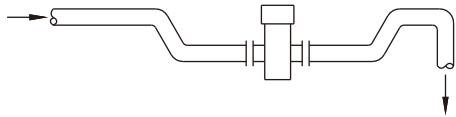
1. The flow meter must be free from strong electromagnetic field. The magnetic intensity of the flow meter installation site must be smaller than 400A/m (It should not be installed near large motors or transformers).
2. It should be installed at the lower point and the vertically upward point of the horizontal pipe. Don't install it at the highest point and the vertically downward point of the pipe.



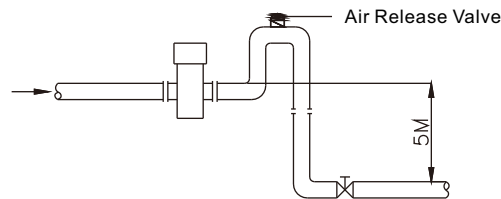
3. It should be installed at the rising point of the pipe.



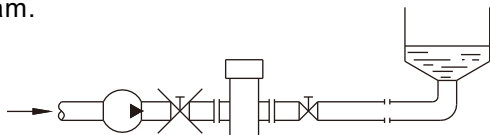
4. It should be installed at the lower point of the pipe when it is installed on the pipe with opening for drainage.



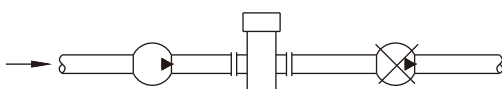
5. If the pipe gap exceeds 5m, the air release valve should be installed at the downstream of the sensor. The downstream of the sensor should have some back pressure.



6. The control valve and cut valve should be installed at the downstream of the sensor rather than the upstream.



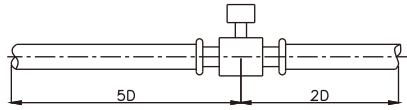
7. The sensor should be installed at the pump outlet rather than the inlet.



8. The fluidic must flow towards the arrow direction of the flow meter.
9. The axial line of the measuring electrode must be approximate to the horizontal direction (The angle of from the horizontal direction).
10. The measuring pipe must be completely filled with liquid.

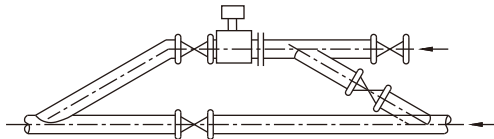
INSTALLATION INSTRUCTIONS

11. The straight tube section is required to be at least 5D (internal diameter of the flow meter) on the front side, and at least 2D on the rear side.



12. When measuring the mixture of different media, the distance between the mixing point and the flow meter must be 30D at least.

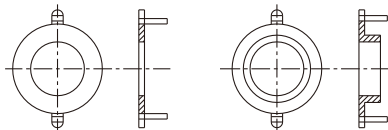
13. For convenient cleaning and maintenance of the flow meter, a bypass pipe must be installed.



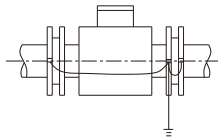
14. When installing the sensor, it should ensure that the measuring pipe and the process pipe must be on the same axial line. For the flow meter with the pipe meter of 50mm or below, the axial line deviation should not exceed 2mm. For those of DN65~DN150, the axial line deviation should not exceed 3mm. For those of \geq DN200, the axial line deviation should not exceed 4mm.

15. The shim installed between the flanges should have excellent anti-corrosion property. The shim should not intrude in the pipe, which will affect the fluidic in the pipe.

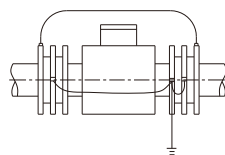
16. The sensor and transmitter should be equipped with high-quality independent grounding wire (The section area of the copper core is 1.6mm²). The grounding resistance should be $<10\Omega$. If the grounding is poor, it won't work normally. The grounding ring is needed if the pipe connecting with the sensor is insulating, and the material of the grounding ring should be the same as that of the electrode. If the test medium is abrasive, the neck grounding ring should be selected.



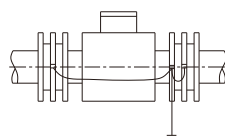
- 16.1 It is for installing the flow meter on the metal pipe not coated with insulating layer internally.



- 16.2 When installing the flow meter on the protective pipe of the cathode, the pipe with the protection of electrolytic corrosion generally has insulating walls and protruding sides. Thus, during installation, the grounding ring and the flanges on the pipe should be insulating.



- 16.3 When installing the flow meter on the plastic pipe or the pipe with insulating coating material, paints or lining, grounding rings on both ends of the sensor should be installed.



MODEL NUMBER / ORDER CODE COMPARISON TABLE

ORDERING INFORMATION

Model Number	Order Code
EPD30	EPD10000-A
EPD34	EPD10400-A

EPD1 ⁰⁵ ⁰⁶ ⁰⁷ ⁰⁸ - A ¹⁰ ¹¹ ¹² ¹³ ¹⁴ ¹⁵ ¹⁶ ¹⁷ ¹⁸ ¹⁹ ²⁰ ²¹ A ²³ ²⁴ ²⁵ ²⁶ ²⁷ ²⁸

05 06 Type

- 00: Integrated type
- 04: Remote type

07 08 Certification

- 00: None
- 2F: IECEx (For Integrated type only)
- 6F: CSA (For Integrated type only)

10 11 12 Pipe diameter

- | | | |
|-----------|------------|------------|
| 015: 15mm | 100: 100mm | 350: 350mm |
| 025: 25mm | 125: 125mm | 400: 400mm |
| 040: 40mm | 150: 150mm | 450: 450mm |
| 050: 50mm | 200: 200mm | 500: 500mm |
| 065: 65mm | 250: 250mm | |
| 080: 80mm | 300: 300mm | |

13 14 15 Connection specification

- | | |
|---------------------------|--------------------|
| C48: ANSI B16.5 Class 150 | D57: DIN 2501 PN10 |
| C49: ANSI B16.5 Class 300 | D58: DIN 2501 PN16 |
| A41: JIS B2220 7.5K | D60: DIN 2501 PN40 |
| A42: JIS B2220 10K | |
| A45: JIS B2220 20K | |

16 17 Casing and flange

- MD: Carbon steel
- MA: SUS304
- MC: SUS316L

18 19 Lining material

- 08: Neoprene (Min. DN40)
- 21: PTFE (Min. DN15)
- 37: NBR (Min. DN40)

(Next page)

ORDERING INFORMATION

EPD1 ⁰⁵ ⁰⁶ 0 0 - A ¹⁰ ¹¹ ¹² ¹³ ¹⁴ ¹⁵ ¹⁶ ¹⁷ ¹⁸ ¹⁹ ²⁰ ²¹ A ²³ ²⁴ ²⁵ ²⁶ ²⁷ ²⁸

²⁰ ²¹ Electrode material

- MC: SUS316L
- MF: Titanium
- MK: Tantalum
- MJ: Hastelloy alloy(C-276)

²³ Power supply (Ex-proof type support 24Vdc only, D/R)

- A: 100~240Vac, 50/60Hz
- D: 24Vdc
- N: 100~240Vac,50/60Hz with data logger
- R: 24Vdc with data logger

²⁴ Accuracy

- F: 0.5%
- G: 0.3%
- H: 0.2%

²⁵ ²⁶ Grounding material

- 00: None
- MA: SUS304
- MC: SUS316L
- MF: Titanium
- MK: Tantalum
- MJ: Hastelloy alloy(C-276)

²⁷ ²⁸ Cable length

- 00: None(Only available for standard type)
- 10: 10 M(Remote type standard)
- 15: 15 M
- 20: 20 M
- ⋮
- 95: 95 M
- A0: 100 M

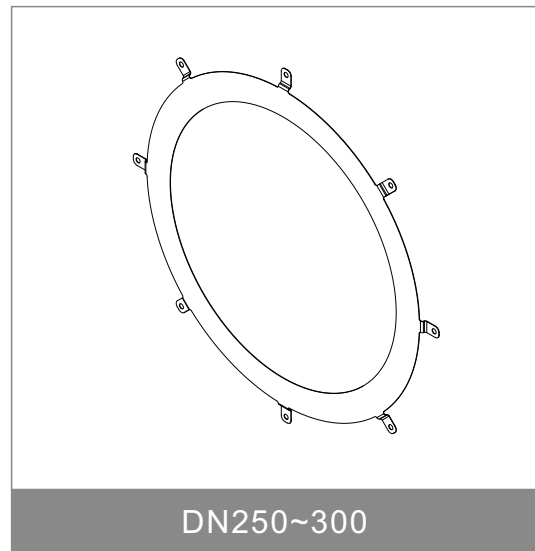
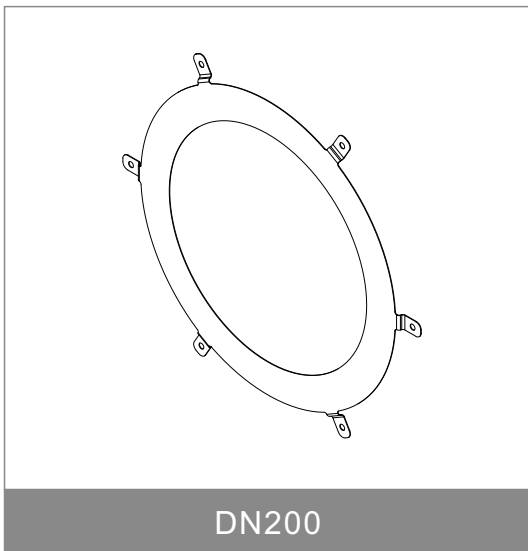
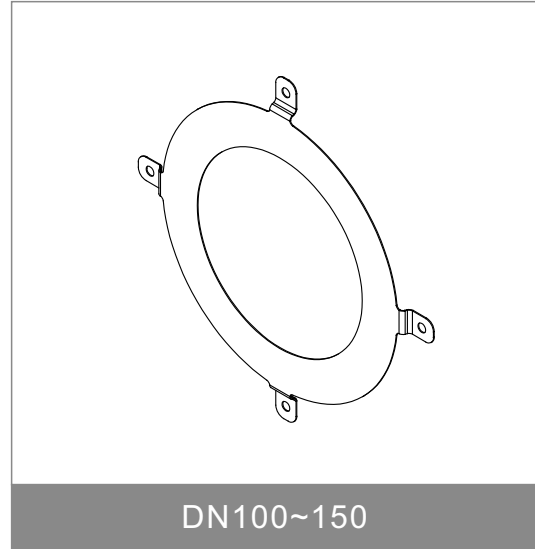
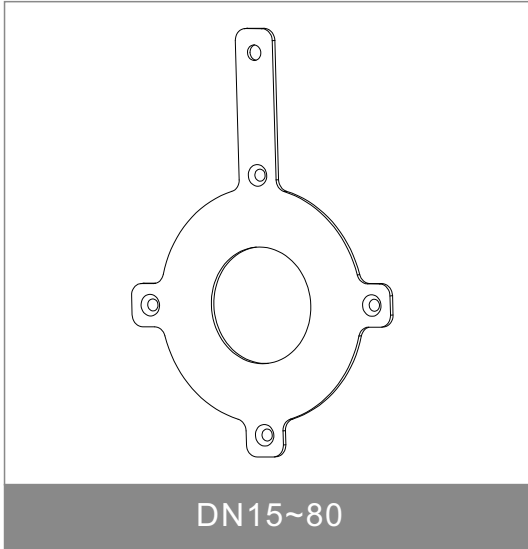
ACCESSORY—GROUNDING RING

New Order Number	Old Order Number	Specification
EPDAM1P-MJ03150001	-	Hastelloy alloy -C276 2.0T, DN15
EPDAM1P-MJ03250001	-	Hastelloy alloy -C276 2.0T, DN25
EPDAM1P-MF03150001	-	Titanium 2.0T, DN15
EPDAM1P-MF03250001	-	Titanium 2.0T, DN25
EPDAM1P-MA03150001	-	SUS304 2.0T, DN15
EPDAM1P-MA03250001	-	SUS304 2.0T, DN25
EPDAM1P-MC03150001	-	SUS316L 2.0T, DN15
EPDAM1P-MC03250001	-	SUS316L 2.0T, DN25
EPDAM1P-MA03A00001	EPA-1007-100-4	SUS304 0.5T, DN100
EPDAM1P-MA03A20001	EPA-1007-125-4	SUS304 0.5T, DN125
EPDAM1P-MA03A50001	EPA-1007-150-4	SUS304 0.5T, DN150
EPDAM1P-MA03B00001	EPA-1007-200-4	SUS304 0.5T, DN200
EPDAM1P-MA03B50001	EPA-1007-250-4	SUS304 0.5T, DN250
EPDAM1P-MA03C00001	EPA-1007-300-4	SUS304 0.5T, Dn300
EPDAM1P-MC03400001	EPA-1007-40-L	SUS316L 2.0T, DN40
EPDAM1P-MC03500001	EPA-1007-50-L	SUS316L 2.0T, DN50
EPDAM1P-MC03650001	EPA-1007-65-L	SUS316L 2.0T, DN65
EPDAM1P-MC03800001	EPA-1007-80-L	SUS316L 2.0T, DN80
EPDAM1P-MC03A00001	EPA-1007-100-L	SUS316L 0.5T, DN100
EPDAM1P-MC03A20001	EPA-1007-125-L	SUS316L 0.5T, DN125
EPDAM1P-MC03A50001	EPA-1007-150-L	SUS316L 0.5T, DN150
EPDAM1P-MC03B00001	EPA-1007-200-L	SUS316L 0.5T, DN200
EPDAM1P-MC03B50001	EPA-1007-250-L	SUS316L 0.5T, DN250
EPDAM1P-MC03C00001	EPA-1007-300-L	SUS316L 0.5T, DN300
EPDAM1P-MF03400001	EPA-1007-40-T	Titanium 2.0T, DN40
EPDAM1P-MF03500001	EPA-1007-50-T	Titanium 2.0T, DN50
EPDAM1P-MF03650001	EPA-1007-65-T	Titanium 2.0T, DN65
EPDAM1P-MF03800001	EPA-1007-80-T	Titanium 2.0T, DN80
EPDAM1P-MF03A00001	EPA-1007-100-T	Titanium 0.5T, DN100
EPDAM1P-MF03A20001	EPA-1007-125-T	Titanium 0.5T, DN125
EPDAM1P-MF03A50001	EPA-1007-150-T	Titanium 0.5T, DN150
EPDAM1P-MF03B00001	EPA-1007-200-T	Titanium 0.5T, DN200
EPDAM1P-MJ03400001	EPA-1007-40-H	Hastelloy alloy -C276 2.0T, DN40
EPDAM1P-MJ03500001	EPA-1007-50-H	Hastelloy alloy-C276 2.0T, DN50
EPDAM1P-MJ03650001	EPA-1007-65-H	Hastelloy alloy-C276 2.0T, DN65
EPDAM1P-MJ03800001	EPA-1007-80-H	Hastelloy alloy-C276 2.0T, DN80
EPDAM1P-MJ03A00001	EPA-1007-100-H	Hastelloy alloy-C276 0.5T, DN100

ACCESSORY-GROUNDING RING

New Order Number	Old Order Number	Specification
EPDAM1P-MJ03A20001	EPA-1007-125-H	Hastelloy alloy-C276 0.5T, DN125
EPDAM1P-MJ03A50001	EPA-1007-150-H	Hastelloy alloy-C276 0.5T, Dn150
EPDAM1P-MJ03B00001	EPA-1007-200-H	Hastelloy alloy-C276 0.5T, DN200
EPDAM1P-MJ03B50001	EPA-1007-250-H	Hastelloy alloy-C276 0.5T, DN250
EPDAM1P-MJ03C00001	EPA-1007-300-H	Hastelloy alloy-C276 0.5T, DN300
EPDAM1P-MK03800001	EPA-1007-80-A	Tantalum 2.0T, DN80

ACCESSORY-GROUNDING RING



SETTING VALUES

Main Menu	Sub Menu	Unit	Default	Setting Range
Fast Set(0)	Device Tag Num (1.1)			
	Zero Adj. (2.1)			
	Flow Span (1.5)			
	Flow Unit (1.4)			
	Low cutoff (2.4)			
	Damping Time (3.1)			
	Pulse Out Unit (3.3)			
	Total Reset (1.9)			

The parameter is linking from standard menu

Main Menu	Sub Menu	Unit	Default	Setting Range
Basic Set (1)	Device Tag Num (1.1)	none	00001	00001~65535
	Measure Type (1.2)	-	Water	Water
	Tube Size (1.3)	mm	actual	10,15,25,32,40,50,65,80,100 125,150,200,250,300,350,400,450,500
	Flow Unit (1.4)	-	m ³ /h	L/(s,min,h), m ³ /(s,min,h), gal/(s,min,h), kg(s,min,h), Ton(s,min,h) (Flow rate* Liquid density = weight) "L/s", "L/m", "L/h", "m ³ /s", "m ³ /m", "m ³ /h", "gal/s", "gal/m", "gal/h", "kg/s", "kg/m", "kg/h", "Ton/s", "Ton/m", "Ton/h", "m ³ /d"
	Flow Span (1.5)	=Flow Rate Unit	$(5m/s) \times (Diameter/2)^2 \times \pi \times \text{Unit of Flow Forward}$	$(0.1 \sim 10.0m/s) \times (Diametermm/2)^2 \times \pi \times \text{Unit of Flow Forward}$
	Direction (1.6)	dir	Forward	Forward,Reverse
	Total Unit (1.7)	-	m ³	Liter,gal,m ³ ,kg,Ton
	Total Mode (1.8)	none	Forward	Forward,Reverse,Bi-direction
	Total Reset (1.9)	none	Cancel	Cancel,Accept

Main Menu	Sub Menu	Unit	Default	Setting Range
Advanced Set (2)	Zero Adj. (2.1)	m/s	actual	-0.5000~+0.5000
	K-Factor (2.2)	none	1.000	0.000~3.000
	Density (2.3)	g/cm ³	1.0000	0.0001~9.9999
	Low cutoff (2.4)	%	0.5	0.00~100.00
	Fwd. Init. (2.5)	=Total Unit	0	0~9999999999
	Rev. Init.(2.6)	=Total Unit	0	0~9999999999

SETTING VALUES

Main Menu	Sub Menu	Unit	Default	Setting Range
I/O Signal Set (3)	Damping Time (3.1)	second (s)	3	0~100
	Pulse Out Mode (3.2)	none	Pulse NO	Pulse NO, Pulse NC, Frequency
	Pulse Out Unit (3.3)	Unit/pulse	0.1 L	0.001~100(L,gal,m ³ ,g,kg,Ton) m ³ /pulse,gal/pulse,m ³ /pulse g/pulse,kg/pulse,Ton/pulse
	Max. Freq. (3.4)	Hz,kHz	2K	1~8K (00.000)
	Curr. Mode (3.5)	none	4-20	4-20,0-20
	4mA Fine-Tune (3.6)	count	0	-5000~5000
	20mA Fine-Tune (3.7)	count	0	-5000~5000
	Input1 Func. (3.8)	N/A	None	None, Total Reset
	Input1 Type (3.9)	N/A	NO	NO,NC
	Filter Variation (3.10)	m/s	1	0.000~10.000
Filter Weight (3.11)	%	10	0~100	
Median Filter(3.12)	%	Enable	Disable,Enable	

Main Menu	Sub Menu	Unit	Default	Setting Range
Alarm Set (4)	Max. Flow (4.1)	Flow Rate Unit	Max.	Max. Flow Rate
	Min. Flow (4.2)	Flow Rate Unit	Min.	Min. Flow Rate
	Empty Tube Set (4.3)	N/A	Disable	Enable, Disable
	Output 1 Func. (4.4)	N/A	Max. Flow Rate	Max. Flow Rate, Min. Flow Rate, Empty Tube, System Alarm
	Output 1 Type (4.5)	N/A	No	NO,NC
	Output 2 Func. (4.6)	N/A	Min. Flow Rate	Max. Flow Rate, Min. Flow Rate, Empty Tube, System Alarm
	Output 2 Type (4.7)	N/A	No	NO,NC
	Curr. Func. (4.8)	N/A	None	Empty Tube, System Alarm
	Alarm Curr. (4.9)	mA	3.6	3.6,3.8,20.5,22
	Temp. Alarm. (4.10)	N/A	1	0:OFF, 1:ON

SETTING VALUES

Main Menu	Sub Menu	Unit	Default	Setting Range	
System Set (5)	Language (5.1)	N/A	N/A	English	English, 繁中, 简中
	System Info.(5.2)	Tube Status	N/A	Actual	(Normal, Empty)
		Act. Flow Speed	m/s	Actual	N/A
		Resistance	kΩ	Actual	N/A
		Status Code	N/A	Actual	0000 0000 ~ FFFF FFFF
	Self-Test (5.3)	N/A	N/A	Cancel	Normal, Circuit Fail ,Excitation Fail, Amb. Temp, Electrode Coating
	Analogy Input (5.4)	4mA Display	N/A	0000	0~9999
		20mA Display.	N/A	1000	0~9999
		4-20mA Unit	N/A	Kpa	None, Kpa, Mpa, Psi, Bar, °C, °F
		Dot	N/A	1	0~3
	ModBus Comm. (5.5)	Modbus ID(2.13.1)	N/A	1	1~255
		BaudRate(2.13.2)	BPS	9600	1200,2400,4800,9600,19200 38400,57600
		Data bit(2.13.3)	N/A	8	8
		Parity(2.13.4)	N/A	none	none,odd,even
	Recovery Default (5.6)	Stop bit(2.13.5)	N/A	1	1,2
		N/A	N/A	Cancel	Cancel, Accept
Mains Frequency (5.7)	N/A	Hz	50	50, 60	
LCM Contrast Brightness(5.8)	N/A	%	50	10~100	
Manu Password (5.9)	User Password(5.9.1)	N/A	00000	0~99999	
	Admin Password(5.9.2)	N/A	00000	0~99999	

Main Menu	Sub Menu	Unit	Default	Setting Range
Simulation (6)	Flow Speed (6.1)	m/s	0	-10 ~ 10
	Flow Rate (6.2)	Flow Rate Unit	0	0~max.
	Output Curr. (6.3)	mA	4mA	3.6~22
	Output Freq. (6.4)	Hz(pulse/sec)	2	8000
	Output1 Status (6.5)	N/A	OFF	ON/OFF
	Output2 Status (6.6)	N/A	OFF	ON/OFF
	Input1 Status (6.7)	N/A	Actual	ON/OFF
	Input Curr. (6.8)	N/A	Actual	0~24mA

Main Menu	Sub Menu	Unit	Default	Setting Range
System Log (7)	Date Set (7.1)	N/A	actual	year : 17~99, month : 01~12, day : 01~31
	Time Set (7.2)	N/A	actual	hour : 00~23, minute : 00~59, sec : 00~59
	Log data clear (7.3)	N/A	Cancel	Cancel, Accept
	System Log Info (7.4)	N/A	actual	N/A

Main Menu	Sub Menu	Unit	Default	Setting Range
Infomation (8)	F.W. Version(8.1)		actual	

※Sub menu 1.3、1.9、2.2、2.5、2.6、5.6、5.9、7.3, only the admin can change.

APPLICATION DEMO



Pharmaceutical



Pharmacy



Beverage



Electronics



Food & Beverage



Incinerator



Mining



Plastic

TUCHENG PLANT/YILAN PLANT



EPD APPLICATION / ORDER FORM

Company Profile

Company Name: _____ Contact Person: _____

E-mail: _____ Phone: _____ Tax: _____

Application

Medium: _____ Temperature: _____ Sanitary Degree Request: Yes NO

Conductivity: _____ Viscosity: _____

Diameter of Tube (DN) : _____ Accuracy Request(%): _____ Ambient Temp.: _____

Normal Flow Rate(m³/h): _____ Max. Flow Rate(m³/h): _____ Min. Flow Rate(m³/h): _____

Connection Spec: _____ Connection Material**: _____

Pressure (Kg/cm²): _____ Max. Static Pressure (Kg/cm²): _____ **SUS304, SUS316, SUS316L

Lining Material*: _____ Electrode Material***: _____

* PTFE · NBR · Neoprene

***SUS316 · Hastelloy Alloy · Titanium · Tantalum

Power: 110Vac 220Vac 24Vdc

Output: 4-20mA/Pulse(freq) RS-485/Modbus

Grounding: NO YES

Installation Direction: Horizontal Vertical

Vibration Inside Tube: NO YES

Strong Magnetic Nearby: NO YES

Explosion Proof: NO YES

Explosion Proof Code: _____

Global Network



■ Head Quarter

● Taiwan

FineTek Co., Ltd. - Taipei Head Quarter 
 No.16, Tzuchiang St., Tucheng Industrial Park
 New Taipei City 236, Taiwan
 TEL: 886-2-2269-6789
 FAX: 886-2-2268-6682
 EMAIL: info@fine-tek.com

■ North America

● California, U.S.

Aplus Finetek Sensor Inc. - US Office
 355 S. Lemon Ave, Suite D
 Walnut, CA 91789
 TEL: 1 909 598 2488
 FAX: 1 909 598 3188
 EMAIL: info@aplusfine.com

■ Europe

● Germany

FineTek GmbH - Germany Office
 Bei den Kämpen 26
 21220 Seevetal-Ramelsloh, Germany
 TEL: +49-(0)4185-8083-12
 FAX: +49-(0)4185-8083-80
 EMAIL: info@fine-tek.de

■ Asia

● China

Fine automation Co., Ltd. - Shanghai Factory 
 No.451 DuHui Rd, MinHang District, Shanghai,
 China 201109
 TEL: 86-21-6490-7260
 EMAIL: info.sh@fine-tek.com

● Singapore

FineTek Pte Ltd. - Singapore Office
 37 Kaki Bukit Place, Level 4 Singapore 416215
 TEL: 65-6452-6340
 EMAIL: info.sg@fine-tek.com

● Indonesia

PT. FineTek Automation Indonesia - Indonesia Office 
 PERGUDANGAN TUNAS BITUNG
 Jl. Raya Serang KM. 13,8, Blok C3 No. 12&15, Bitung Cikupa,
 Tangerang 15710
 TEL: 62 (021)-2958-1688
 EMAIL: info.id@fine-tek.com

● Müttec Instruments GmbH - Germany Office

Bei den Kämpen 26
 21220 Seevetal-Ramelsloh, Germany
 TEL: +49-(0)4185-8083-0
 FAX: +49-(0)4185-8083-80
 EMAIL: muetec@muetec.de



Distributor: