

## Product Information ILM-4

## FOOD

# Inductive Conductivity Meter ILM-4



## Application/Specified Usage

- Inductive measurement of the specific conductivity of liquid media in the range of 0...1000 mS/cm.
- Designed for hygienic applications in food-, beverage- and pharmaceutical industries.

## Application Examples

- Controlling of CIP processes (e. g. phase separation detergents/water)
- Concentration measurement (e. g. Alkali and acid concentration in remaking)
- Monitoring of product quality, quality control

## Hygienic Design/Process Connection

- Hygienic process connection with CLEANadapt
- Conforming to 3-A Sanitary Standard for versions with DIRECTadapt
- All wetted materials are FDA-conform
- Sensor completely made of stainless steel
- Complete overview of process connections: see order code
- The Anderson-Negele CLEANadapt system offers a flow-optimized, hygienic and easily sterilizable installation solution for sensors.

## Features/Advantages

- CIP/SIP cleaning up to 150 °C/maximum 60 minutes
- Wear-free, inductive measurement
- In contrast to conductive measurement procedures, no problems with electrode deterioration or polarization.
- Accurate measurement through compensation of temperature influences.
- High reproducibility of  $\leq 1\%$  of measurement value.
- Analog outputs for conductivity and temperature are a standard feature.
- Analog outputs for conductivity, temperature or concentration are freely adjustable.
- Short response time of 1.2 s for highest efficiency
- Installation in tube diameters from DN 40

## Options/Accessories

- Version with longer toroid housing for pipes  $\geq$  DN 65 or for installation into T-fitting
- Preassembled cable for M12 plug-in connector
- Display module Simple User Interface (SUI) and Large User Interface (LUI)
- Remote version with cable length up to 30 m

## Communication

 **IO-Link**  **4...20 mA**

## ILM-4 / L20 Compact Version



## ILM-4R / L20 Remote Version



## Large User Interface (LUI)

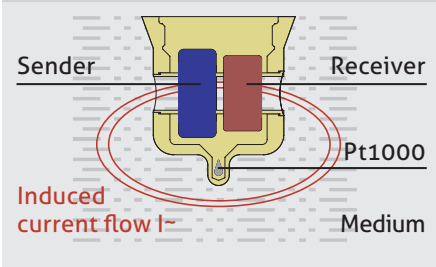


Specification		
Process connection	CLEANadapt Tri-Clamp Varivent	G1" 1½", 2", 2½", 3" DN 25 (type F), DN 40/50 (type N)
Materials	Connecting head Threaded connector Immersible body Plastic cap/sight glass	Stainless steel 1.4308 (AISI CF-8) Stainless steel 1.4305 (AISI 303) PEEK, FDA number 21 CFR 177.2415 Polycarbonate
Temperature ranges	Ambient Process CIP/SIP cleaning	-10...+70 °C -10...+130 °C Up to 150 °C max. 60 min
Operating pressure		Max. 16 bar
Protection class		IP 69 K
Reproducibility	of conductivity	≤ 1 % of measurement value
Resolution/measurement range	≤ 1 mS/cm ≤ 10 mS/cm ≤ 100 mS/cm ≤ 1000 mS/cm	0.001 mS/cm 0.01 mS/cm 0.1 mS/cm 1 mS/cm
Accuracy	Slope Offset	±2 % of measurement value ±20 µS/cm
Long-term stability		±0.5 % of upper range limit
Accuracy of temperature output	≤ 100 °C 100...150 °C	Max. 0.5 °C Max. 1.0 °C
Electrical connection	Cable gland Cable connection Power supply	2x M16 x 1.5 2x M12 connector 1.4301 (AISI 304) 18...36 V DC max. 190 mA
Remote cable (ILM-4R only)	PVC-cable	8-pin, twisted pair, unshielded, with M12 coupling/straight plug
Communication	Analog Digital	2x Analog output 4...20 mA, short circuit proof 1x Digital input (24 V DC) IO-Link v1.1
LCD display	Backlit display	5 lines
Measuring principle	Wear-free	Inductive

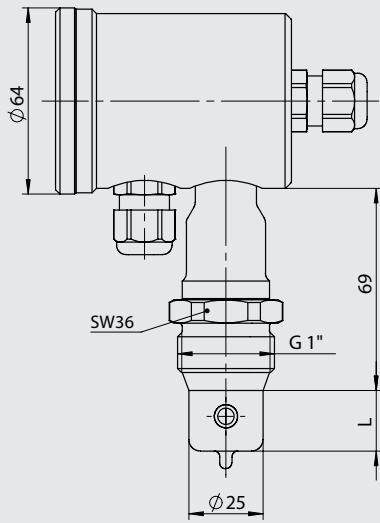
#### Measuring Principle of the Inductive Conductivity Meter

An alternating current generates a magnetic field in the primary coil (sender) which induces a current in the circumfluent medium. The current flow in the medium generates another magnetic field in the secondary coil (receiver). The strength of the induced current in the secondary coil depends on the conductivity of the medium. The conductivity of the liquid medium is temperature dependent. To compensate the temperature error, an additional sensor (Pt1000) in the sensor tip is used for monitoring the temperature of the medium. The temperature coefficient (TC-value) of the liquid can be set up in the electronics of the ILM which is used for automatic compensation of the temperature error.

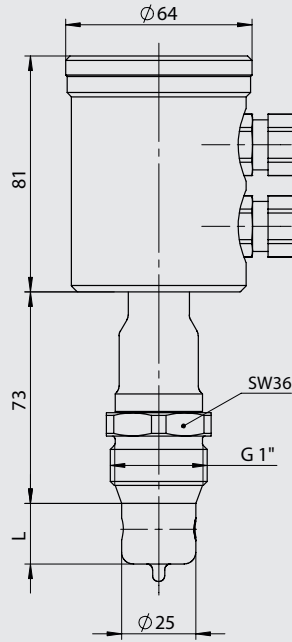
#### Inductive Conductivity Measurement



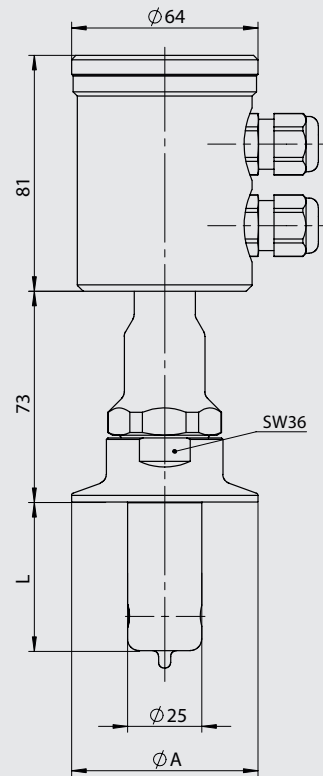
ILM-4 / G1" horizontal



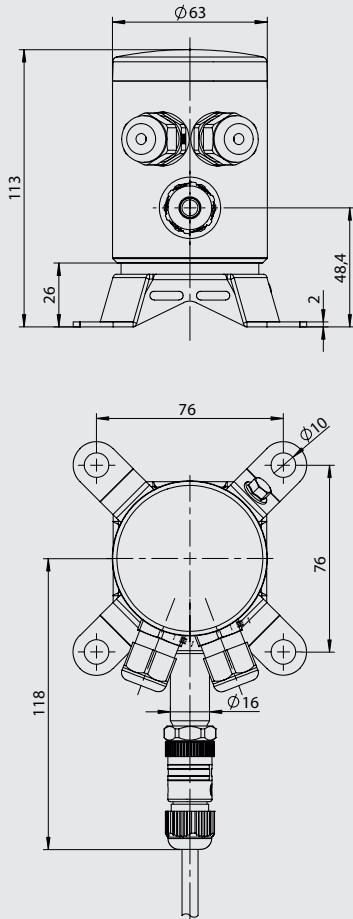
ILM-4 / G1" vertical



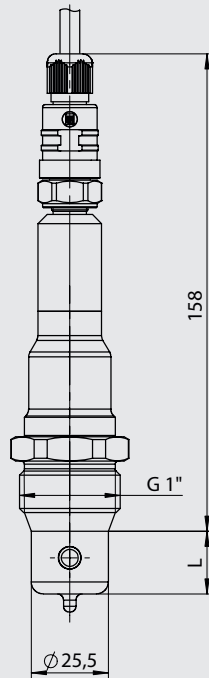
ILM-4 / Tri-Clamp vertical



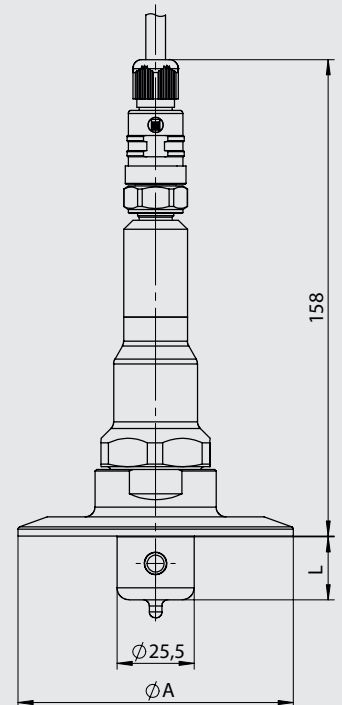
HUR / Head Unit Remote Version



ILM-4S / G1" CLEANadapt



ILM-4S / Tri-Clamp



Submersion length

Type	L
ILM-4 / L20	20 mm
ILM-4 / L50	50 mm

Tri-Clamp size

Type	Ø A
TC1	50.5 mm
TC2	64 mm
T25	77.5 mm
TC3	91 mm

**Mechanical Connection / Installation**

- The sensor has to be installed in that way that the bobbin case is entirely washed around by media and no bubbles can occur.  
Installation in a rising pipe is recommended.
- The inscription "FLOW" on the bottom side of the sensor has to show in flow direction of the medium.
- Very heavy vibrations can cause measurement errors (e. g. installation very near a pump).
- Use Negele CLEANadapt system for safe operation of measuring point!
- Attention: The maximum tightening torque for mounting is 20 Nm!
- Use a welding mandril for correct installation of CLEANadapt weld-in fittings.  
Please pay attention to the weld-in and installation details in the CLEANadapt product information.

**Conditions for a measuring point according to 3-A Sanitary Standard 74-06 and EHEDG**

- The ILM-4 is 3-A and EHEDG compliant.
- The sensors are designed for CIP/SIP cleaning. Maximum temperature of 150 °C for 60 minutes.
- Only permitted with the CLEANadapt build-in system (EMZ-351, EMK-351, EHG..., adapter AMC-351 and AMV-351).
- When using the EMZ and EMK weld-in sleeves, the weld must comply with the requirements of the current 3-A Sanitary Standard.
- Mounting position: The mounting position, self-draining properties and position of the leakage hole must be in accordance with the current 3-A Sanitary Standard or EHEDG guidelines.

**Conventional usage**

- Not suitable for applications in explosive areas.
- Not suitable for applications in security-relevant equipment (SIL).

**Transport/Storage**

- No outdoor storage
- Store in an area that is dry and dust-free
- Do not expose to corrosive media
- Protect against solar radiation
- Avoid mechanical shock and vibration
- Storage temperature 0...40 °C
- Relative humidity max. 80%

**Note on CE**

- Applicable directives:  
Electromagnetic Compatibility Directive 2014/30/EU
- Compliance with the applicable EU directives is identified by the CE label on the product.
- The operating company is responsible for complying with the guidelines applicable to the entire installation.

**Cleaning/Maintenance**

- When using a pressure washer, do not point the nozzle directly at the electrical connections.

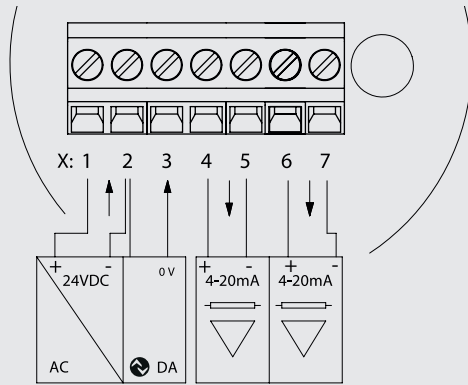
**Disposal**

- Electrical devices should not be disposed of with household trash. They must be recycled in accordance with national laws and regulations.
- Take the device directly to a specialized recycling company and do not use municipal collection points.

**Reshipment**

- Sensors and process connection must be clean and must not be contaminated with hazardous media and/or heat-conductive paste. Note the cleaning information!
- To avoid damage of the equipment, use suitable transport packaging only.

## Electrical connection (Signal module I63)

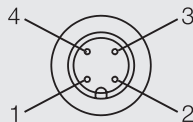


- |                               |                        |
|-------------------------------|------------------------|
| 1: Power supply +24 V DC      | 4: Analog output X45 + |
| 2: Power supply -             | 5: Analog output X45 - |
| 3: IO-Link / Digital input X3 | 6: Analog output X67 + |
|                               | 7: Analog output X67 - |

## Electrical connection "N" (Signal module I63/A63)

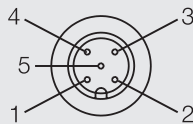
M12 connector (4-pin)

- 1: Analog output X45 +
- 2: Analog output X67 +
- 3: Analog output X67 -
- 4: Analog output X45 -



M12 connector (5-pin)

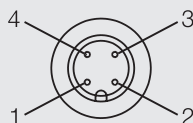
- 1: Power supply +24 V DC
- 2: Not assigned
- 3: Not assigned
- 4: Power supply -
- 5: Digital input X3



## Electrical connection "M" (Signal module I42/A42)

M12 connector (4-pin)

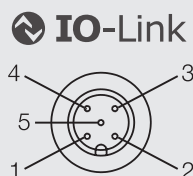
- 1: Power supply +24 V DC
- 2: Analog output X45 +
- 3: Analog output X45 -
- 4: Power supply -



## Electrical connection "C" (Signal module I42)

M12 connector (5 pin)

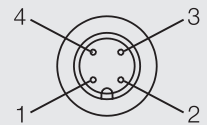
- 1: Power supply +24 V DC
- 2: Analog output X45 -
- 3: Power supply -
- 4: IO-Link
- 5: Analog output X45 +



## Electrical connection "R" (Signal module I63)

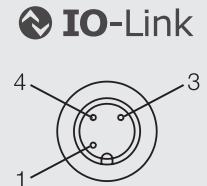
M12 connector (4-pin)

- 1: Analog output X45 +
- 2: Analog output X67 +
- 3: Analog output X67 -
- 4: Analog output X45 -



M12 connector (3-pin)

- 1: Power supply +24 V DC
- 3: Power supply -
- 4: IO-Link / Digital input X3



## Signal modules use cases

The ILM-4 conductivity sensor will operate with the default factory settings. Depending on the chosen signal module, different input and output signals are available.

**A42 Signal module**

- 1x Analog Output X45 for conductivity

**I42 Signal module**

- IO-Link communication X3
- 1x Analog Output X45 for conductivity

**I62 Signal module**

- IO-Link communication X3
- 2x Analog Output X45 and X67 for conductivity and temperature

**I63 Signal module**

- IO-Link communication X3
- 2x Analog Output X45 and X67 for conductivity and temperature
- 1x Digital input X3 for external range selection of conductivity

## Sensor configuration

Monitoring or configuration of the sensor could be performed using IO-Link or the MPI-200 programming adapter with MPI-200-F. It must be ensured that the sensor is permanently connected to the supply voltage while the parameters are being set.

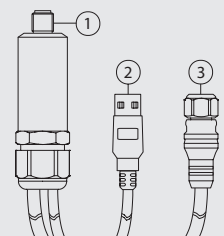
## Programming adapter MPI-200-F connection



Connection plug for MPI-200-F adapter as an intermediate plug between the ILM-4 electronics and the MPI-200 connection (3) (see figure below).

## Connection of programming adapter MPI-200

- 1: Connection for M12 connector
- 2: USB port for connecting to a PC
- 3: Connection cable to adapter for ILM-4



### Creating settings with the User Interface (SUI or LUI)

The software structure of the User Interface is similar to that of the PC version. The system is operated using two control buttons to the left and right of the display. These buttons can be used to navigate to the required parameter. The button functions are as follows:

Button	Press briefly	Press and hold
R (right)	Jump to next node, parameter	Edit a node, parameter
L (left)	Jump back to previous node, parameter	Leave editing mode without saving, return to next higher level
R/L	Scroll up and down	
R and L simultaneously		Press both buttons for 10 seconds: the menu jumps back to the beginning (attention: this is not a reset)

The parameters can be changed by clicking through the menu or using an ID code. To use the ID code, press and hold the right button next to the sensor prompt "ID-Search No". The sensor opens the "ID-Search" page on which the necessary ID code can be entered directly.

In the Adjust menu, the following parameters can be set using the ID code:

Parameter/parameter name	Search Number (ID Number)	Value name
<b>Display</b>		
Language	451010	Deutsch, English
<b>Conductivity Measurement</b>		
<b>Conductivity 1:</b>		
Temperature Compensation 1	013031	0...100 %/K
Upper Range Value 1	013091	0,5...1000 mS/cm
<b>Conductivity 2:</b>		
Temperature Compensation 2	013033	0...100 %/K
Upper Range Value 2	013093	0,5...1000 mS/cm
<b>Concentration C:</b>		
Temperature Compensation C	013032	0...100 %/K
Media	013061	NaOH 0...10 %, HNO <sub>3</sub> 0...20 % or customer setting
Upper Range Value C	013092	1...100 %

#### Advice



Occuring several media with very different conductivity in the application (e. g. CIP cleaning) switching to an adequate measuring range is necessary for a precise measurement!

#### Detecting the Temperature Coefficient of the Medium

Default setting: TC = 2 %/K

1. Set „TC“ to 0 %/K.
2. Submerge the device in 25°C medium.
3. Wait until the measurement value stops changing.
4. Read off the conductivity from the display and note down the value.
5. Heat the medium to at least 60°C.  
The conductivity value changes in the display.
6. Wait until the measurement value stops changing.
7. Select the „Temp. Komp.“ parameter and set the determined TC value.

## Order code

**ILM-4R** (inductive conductivity sensor - remote version, remote cable must be ordered separately)

**Submersion length of toroid**

**L20** (20 mm)  
**L50** (50 mm)

**Process connection (3-A and EHEDG compliant)**

**S01** (CLEANadapt G1")  
**TC1** (Tri-Clamp 1½")  
**TC2** (Tri-Clamp 2")  
**T25** (Tri-Clamp 2½")  
**TC3** (Tri-Clamp 3")  
**V25** (Varivent type F, DN 25)  
**V40** (Varivent type N, DN 40/50)

**Signal module**

**A42** (1x 4...20 mA conductivity)  
**I42** (IO-Link and 1x 4...20 mA conductivity)  
**I62** (IO-Link and 2x 4...20 mA conductivity/temperature selectable)  
**I63** (IO-Link and 2x 4...20 mA conductivity/temperature selectable, external range switching)

**Electrical connection**

**P** (cable gland M16x1.5)  
**D** (2x cable gland M16x1.5)  
**M** (1x M12 connector, 4 pin output/power supply)  
**N** (2x M12 connector, 4 pin output, 5 pin input/power supply)  
**A** (2x M12 connector, 4 pin output/power supply, 5 pin output/input)  
**C** (1x M12 connector, 5 pin analog output and IO-Link)  
**R** (2x M12 connector, 4 pin analog and switching output, 3 pin IO-Link and input)

**Display**

**X** (without)  
**L** (Large User Interface with big display)

**Enclosure**

**X** (plastic cap without sight glass)  
**P** (plastic cap with sight glass)  
**M** (stainless steel cap without sight glass)  
**W** (stainless steel cap with sight glass)

**Configuration**

**X** (default factory settings)  
**S** (special customer settings)

ILM-4R / L20 / S01 / I63 / D / S / P / X

**Remote cable for remote version**

**PVC-cable, 8 pin, twisted pair unshielded, IP69K**  
**Length selectable in steps of 1 meter, 30 m max.**

**M12-PVC / 8-PBT** M12 plug/coupling made of PBT plastic  
**M12-PVC / 8-SS** M12 plug/coupling made of stainless steel

**Remote cable****Information**

The components ILM-4S / sensor and HUR / Head Unit Remote can be purchased as spare parts separately. The valid configuration can be seen on the product labels.



## Order code

**ILM-4** (inductive conductivity sensor)

**Submersion length of toroid**

**L20** (20 mm)

**L50** (50 mm)

**Process connection (3-A and EHEDG compliant)**

**S01** (CLEANadapt G1" hygienic)

**TC1** (Tri-Clamp 1½")

**TC2** (Tri-Clamp 2")

**T25** (Tri-Clamp 2½")

**TC3** (Tri-Clamp 3")

**V25** (Varivent type F, DN 25)

**V40** (Varivent type N, DN 40/50)

**Head orientation**

**H** (horizontal head orientation)

**V** (vertical head orientation)

**Signal module**

**A42** (1x 4...20 mA conductivity)

**I42** (IO-Link and 1x 4...20 mA conductivity)

**I62** (IO-Link and 2x 4...20 mA conductivity/temperature selectable)

**I63** (IO-Link and 2x 4...20 mA conductivity/temperature selectable, external range switching)

**Electrical connection**

**P** (cable gland M16x1.5)

**D** (2x cable gland M16x1.5)

**M** (1x M12 connector, 4 pin output/power supply)

**N** (2x M12 connector, 4 pin output, 5 pin input/power supply)

**A** (2x M12 connector, 4 pin output/power supply, 5 pin output/input)

**C** (1x M12 connector, 5 pin analog output and IO-Link)

**R** (2x M12 connector, 4 pin analog and switching output, 3 pin IO-Link and input)

**Display**

**X** (without)

**S** (Simple User Interface with small display)

**L** (Large User Interface with big display)

**Enclosure**

**X** (plastic cap without sight glass)

**P** (plastic cap with sight glass)

**M** (stainless steel cap without sight glass)

**W** (stainless steel cap with sight glass)

**Configuration**

**X** (default factory settings)

**S** (special customer settings)

ILM-4 L20 / S01 / V / A63 / D / S / P / X