

# ULTRA-VIEW™ POLYSULFONE FLOWMETERS

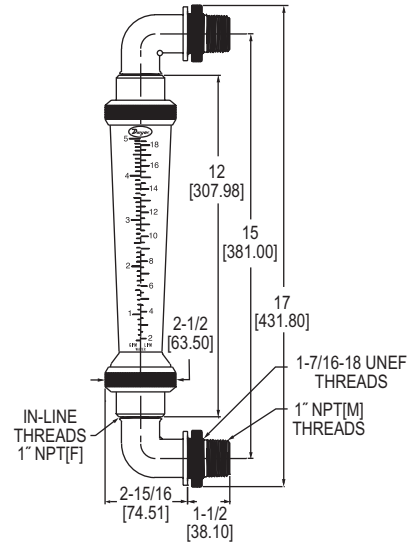
High Corrosion - Resistant Body, Dual Scales



Shown with optional polysulfone fittings



Shown with optional polycarbonate shield



Shown with optional polysulfone fittings

The **Series UV Ultra-View™ Polysulfone Flowmeters** are an ultra-pure, laboratory grade flowmeter with a dual scale that measures flow in GPM and LPM of water, air and other compatible media. The Series UV is designed to withstand high temperatures up to 212°F (100°C) and pressures up to 150 psi (10.34 bar).

**FEATURES/BENEFITS**

- Corrosion-resistant polysulfone body ideal for applications where other flowmeters fail saving replacement cost and time
- Easy to clean body yields low maintenance costs
- Polycarbonate shield protects internal scale increasing product operating life
- Low installation costs with optional panel mount polysulfone fittings

**APPLICATIONS**

- Chill water flow
- Reverse osmosis systems
- Deionized water systems
- Potable water systems
- Remediation applications

MODEL CHART			
Model	Range (GPM water)	Model	Range (SCFM air)
UV-0112	0.25 to 2.5 (1 to 9.5 LPM)	UV-A112	1 to 13 (30 to 370 LPM)
UV-1112	0.5 to 5.0 (2 to 19 LPM)	UV-B112	2.5 to 28 (70 to 780 LPM)
UV-2112	1.0 to 10.0 (4 to 38 LPM)	UV-C112	5 to 50 (70 to 1400 LPM)
UV-3112	2.0 to 20.0 (8 to 76 LPM)	UV-D112	14 to 100 (400 to 2800 LPM)
UV-4112	3.0 to 30.0 (12 to 112 LPM)		
UV-5112	4.0 to 40.0 (20 to 150 LPM)		

**Note:** For PVC 1" female NPT fittings, change 12 to 22.

OPTIONS	
To order add suffix:	Description
-SHD	Protective polycarbonate shield
-NIST	NIST traceable calibration certificate

ACCESSORIES	
Model	Description
A-801	Panel mount kit, polysulfone fittings
A-162	In-line fitting replacement kit. Two 1" female NPT connection fittings included in kit

**SPECIFICATIONS**

**Service:** Compatible liquids and gases.  
**Wetted Materials:** Polysulfone body and fittings, fluoroelastomer O-rings and virgin PTFE float.  
**Temperature Limits:** 35 to 212°F (2 to 100°C); 35 to 130°F (2 to 54°C) for PVC fitting option.  
**Pressure Limit:** 150 psi (10.34 bar).  
**Accuracy:** ±2% FS @ 70°F ±2°F (21.1°C) and 14.7 psia (in line connection rating only).  
**Repeatability:** ±1% FS @ 70°F ±2°F (21.1°C) and 14.7 psia (in line connection rating only).  
**Process Connections:** 1" female NPT. Optional 90° polysulfone elbow – 1" male NPT.  
**Scale Length:** 6" (152.40 mm) – 7" (177.80 mm), depending on model.  
**Fitting Torque:** Maximum 22 ft - lb.  
**Weight:** 1 lb (457 g) for 20 GPM range.  
**CAUTION:** Ball valves can have a "water cannon" effect on opening, creating pressure that exceeds the warranty ratings will damage the flowmeter. Series UV Flowmeters are for indoor use only or areas without direct sunlight. Polysulfone is adversely affected by ultraviolet light.

Flowmeters, Variable Area & In-Line